

**TOSHIBA**

FILE NO. 020-200203

SERVICE MANUAL

# COLOR TELEVISION

N2PSP Chassis

***43H72, 50H72***

(TAC0261)

(TAC0262)

# TABLE OF CONTENTS

## CHAPTER 1 GENERAL ADJUSTMENTS

SAFETY INSTRUCTIONS .....	3
CRT ASSEMBLY REPLACEMENT AND MOUNTING .....	4
PICTURE TUBE COMPONENTS ADJUSTMENT .....	6
REPLACEMENT OF THE CRT .....	8
SERVICE MODE .....	9
ELECTRICAL ADJUSTMENT .....	11
CONVERGENCE ADJUSTMENT .....	13
SCREEN AND MIRROR ALIGNMENTS .....	16
CIRCUIT CHECKS .....	17

## CHAPTER 2 SPECIFIC INFORMATIONS

SETTING & ADJUSTING DATA .....	18
LOCATION OF CONTROLS .....	19
PROGRAMMING CHANNEL MEMORY .....	21
MECHANICAL DISASSEMBLY .....	22
CHASSIS REPLACEMENT PARTS LIST .....	27
PC BOARDS BOTTOM VIEW.....	49
TERMINAL VIEW OF TRANSISTORS .....	61
CIRCUIT BLOCK DIAGRAM .....	63
SPECIFICATIONS .....	END

### APPENDIX:

CIRCUIT DIAGRAM

## SAFETY INSTRUCTIONS

**WARNING:** BEFORE SERVICING THIS CHASSIS, READ THE "X-RAY RADIATION PRECAUTION", "SAFETY PRECAUTION" AND "PRODUCT SAFETY NOTICE" INSTRUCTIONS BELOW.

### X-RAY RADIATION PRECAUTION

1. Excessive high voltage can produce potentially hazardous X-RAY RADIATION. To avoid such hazards, the high voltage must not be above the specified limit. The nominal value of the high voltage of this receiver is (A) kV at zero beam current (minimum brightness) under a 120V AC power source. The high voltage must not, under any circumstances, exceed (B) kV.
2. This receiver is equipped with a Fail Safe (FS) circuit which prevents the receiver from producing an excessively high voltage even if the B+ voltage increases abnormally. Each time the receiver is serviced, the FS circuit must be checked to determine that the circuit is properly functioning, following the FS CIRCUIT CHECK procedure in this manual.

Refer to table-1 for high voltage (A), (B).  
(See SETTING & ADJUSTING DATA on page 18)

Each time a receiver requires servicing, the high voltage should be checked following the HIGH VOLTAGE CHECK procedure in this manual. It is recommended that the reading of the high voltage be recorded as a part of the service record. It is important to use an accurate and reliable high voltage meter.

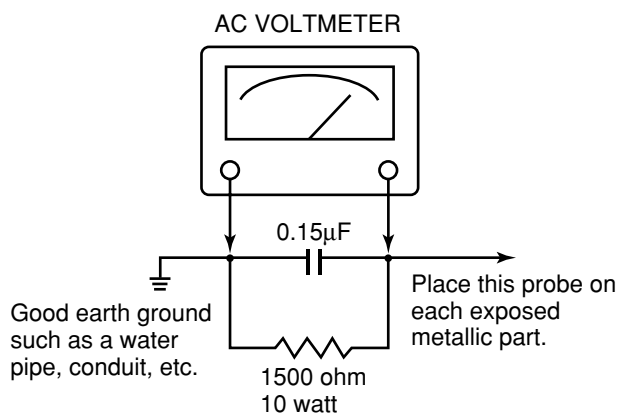
3. The only source of X-RAY RADIATION in this TV receiver is the picture tube. For continued X-RAY RADIATION protection, the replacement tube must be exactly the same type tube as specified in the parts list.
4. Some part in this receiver have special safety-related characteristics for X-RAY RADIATION protection. For continued safety, parts replacement should be undertaken only after referring to the PRODUCT SAFETY NOTICE below.

### SAFETY PRECAUTION

**WARNING :** Service should not be attempted by anyone unfamiliar with the necessary precautions on this receiver. The following are the necessary precautions to be observed before servicing this chassis.

1. An isolation Transformer should be connected in the power line between the receiver and the AC line before any service is performed on the receiver.
2. Always discharge the picture tube anode to the CRT conductive coating before handling the picture tube. The picture tube is highly evacuated and if broken, glass fragments will be violently expelled. Use shatter proof goggles and keep picture tube away from the unprotected body while handling.
3. When replacing a chassis in the cabinet, always be certain that all the protective devices are put back in place, such as; non-metallic control knobs, insulating covers, shields, isolation resistor-capacitor network etc.
4. Before returning the set to the customer, always perform an AC leakage current check on the exposed metallic parts of the cabinet, such as antennas, terminals, screwheads, metal overlays, control shafts etc. to be sure the set is safe to operate without danger of electrical shock. Plug the AC line cord directly into a 120V AC outlet (do not use a line isolation transformer during this check). Use an AC voltmeter having 5000 ohms per volt or more sensitivity in the following manner:

Connect a 1500 ohm 10 watt resistor, paralleled by a 0.15  $\mu$ F, AC type capacitor, between a known good earth ground (water pipe, conduit, etc.) and the exposed metallic parts, one at a time. Measure the AC voltage across the combination of 1500 ohm resistor and 0.15  $\mu$ F capacitor. Reverse the AC plug at the AC outlet and repeat AC voltage measurements for each exposed metallic part. Voltage measured must not exceed 0.3 volts rms. This corresponds to 0.2 milliamp. AC. Any value exceeding this limit constitutes a potential shock hazard and must be corrected immediately.



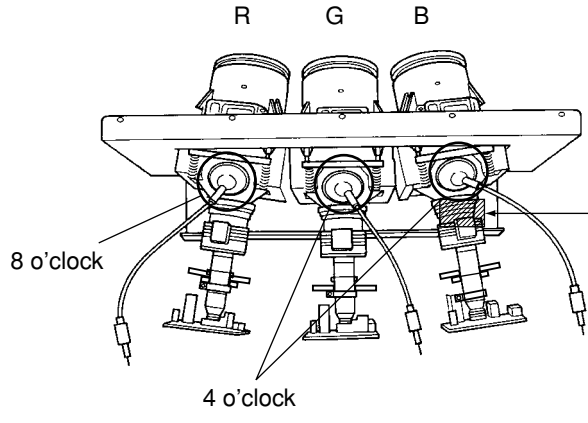
### PRODUCT SAFETY NOTICE

Many electrical and mechanical parts in this chassis have special safety-related characteristics. These characteristics are often passed unnoticed by a visual inspection and the protection afforded by them cannot necessarily be obtained by using replacement components rated for higher voltage, wattage, etc. Replacement parts which have these special safety characteristics are identified in this manual and its supplements; electrical components having such features are identified by the international hazard symbols on the schematic diagram and the parts list.

Before replacing any of these components, read the parts list in this manual carefully. The use of substitute replacement parts which do not have the same safety characteristics as specified in the parts list may create shock, fire, X-ray radiation or other hazards.

# CRT ASSEMBLY REPLACEMENT AND MOUNTING

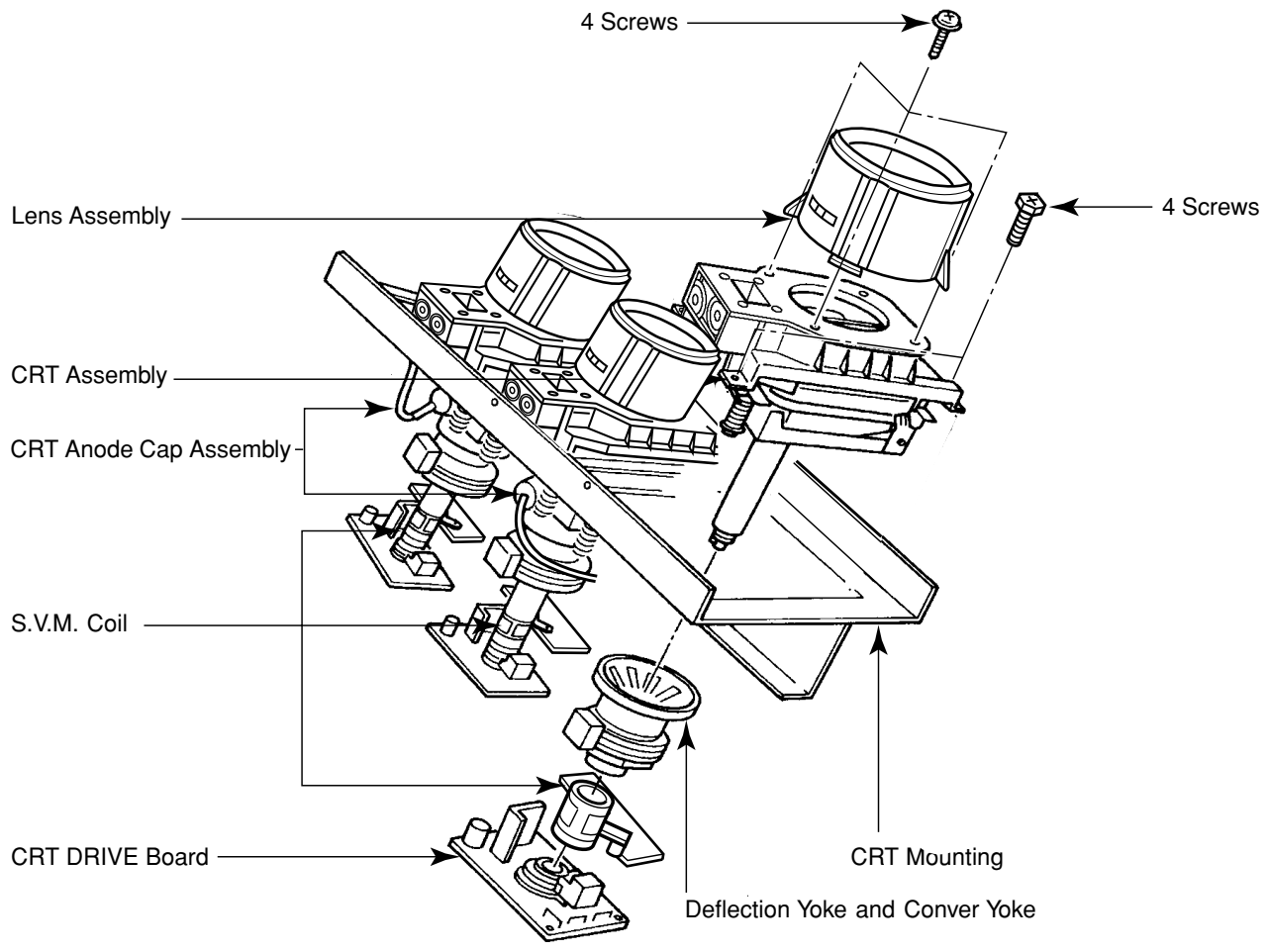
**CAUTION : DO NOT LOOSEN THE HEX HEAD BOLTS WITH SPRINGS (12 PCS), BECAUSE THOSE ARE FOR SEALING OF CRT COOLANT.**



**Attention Serviceman**

The Hex Head Bolts with Springs. (see sketch) used on CRT assembly, are "NOT" Adjustment Screws

**DO NOT LOOSEN-FLUID LEAKAGE WILL OCCUR.**



**Lens and Neck Components View**

TO REMOVE CRT (Same procedure for R, G, B)

1. Remove CRT DRIVE Board, S. V. M. COIL and DEF.YOKE from CRT.
2. Remove Lens Assembly.
3. Detach CRT Anode Cap from CRT.
4. Remove CRT Assembly from CRT Mounting.

CRT REPLACEMENT (Same procedure for R, G, B)

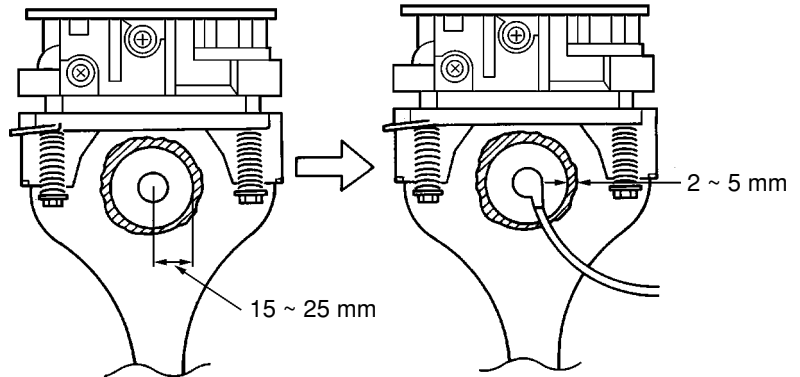
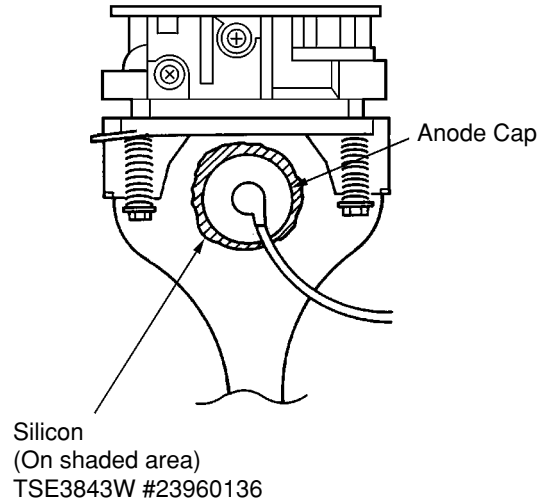
Reverse the removal procedures except the followings.

1. Anode Cable should be replaced with new one.  
See "SERVICING PRECAUTIONS" shown below.
2. Install silicon (T461B) to the CRT, replace the Anode cable and put enough silicon again on around the Anode Cap as illustrated.

CAUTION: Align the Anode cable as illustrated on page 4.

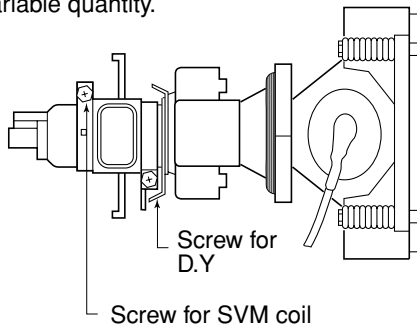
ADJUSTING PROCEDURE IN REPLACING CRT

1. R.G.B. FOCUS ADJUSTMENT (page 6.)
  2. PICTURE TILT ADJUSTMENT (page 6.)
  3. USER CONVERGENCE CENTER CHECK  
(See owner's manual.)
  4. CENTERING ADJUSTMENT (page 6.)
  5. CONVERGENCE ADJUSTMENT (page 13.)
  6. WHITE BALANCE ADJUSTMENT (page 12.)
- Adjustments are complete.

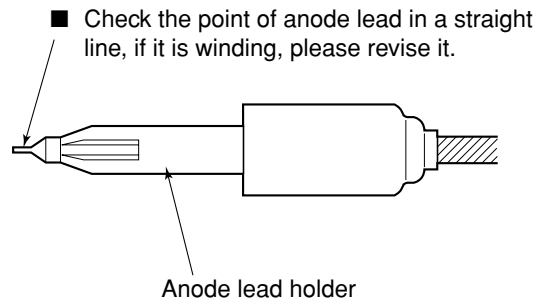


## SERVICING PRECAUTIONS

- Do not use a magnetized screw driver for screws of Deflection Yoke and Velocity Modulation Coil to avoid magnetization of electron gun. Magnetization of electron gun will degrade basic function and result in unbalance of right and left shift of user static convergence, and result in no variable quantity.



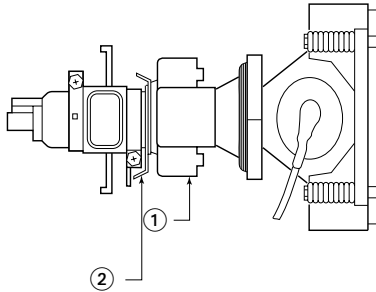
- When replacing the anode cap assembly (CRT) or anode lead assembly (F.B.T.), remove the anode lead holder from old one and attach the holder again to new anode lead.



**WARNING** : BEFORE SERVICING THIS CHASSIS, READ THE "X-RAY RADIATION PRECAUTION", "SAFETY PRECAUTION" AND "PRODUCT SAFETY NOTICE" ON PAGE 3 OF THIS MANUAL.

## PICTURE TUBE COMPONENTS ADJUSTMENT

### DESCRIPTION OF NECK COMPONENTS



- ① Deflection yoke and convergence yoke  
The position on the neck is required most front (CRT funnel side) and the screw is fastened after rotating yoke adjusting picture tilt.
- ② Centering magnet  
After adjusting picture tilt, picture position is finally fixed by this magnet.  
In order to get maximum margin of user convergence control for center of screen, this magnet have to be used for center convergence adjustment.

#### PREPARATION

Operate the receiver for at least 5 minutes.

### R, G, B FOCUS ADJUSTMENT

1. Before adjusting the R, G, B FOCUS, remove the 4 screws of Lens Assembly which is fixed on the CRT Assembly. (See page 4.)  
Then turn around the Lens Assembly by 180° to adjust the fastening screw (Fig. a) and fasten the 4 screws to secure Lens Assembly.
2. Select the adjustment mode. (See page 9.)
3. Press "7" button to display the built-in cross-hatch.
4. Press "0" and "RTN" buttons to make the picture a single Red color.  
100 button ..... to erase Red color  
0 button ..... to erase Green color  
CH RTN button ..... to erase Blue color
5. Loosen the fasten screw and adjust Red lense focus to best focusing point of picture center. Then fasten the screw. (See Fig. a.)

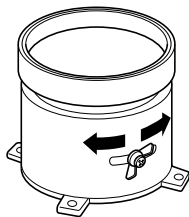


Fig. a

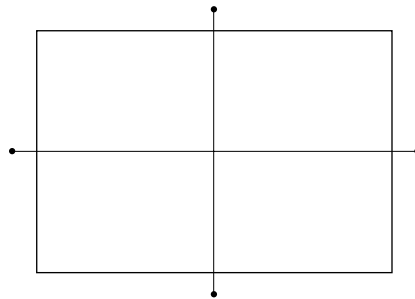
6. Adjust FOCUS VR "R" of FOCUS PACK to find best focusing point of picture center.
7. Repeat steps 3 to 5 for Green and Blue colors.

### TILT ADJUSTMENT

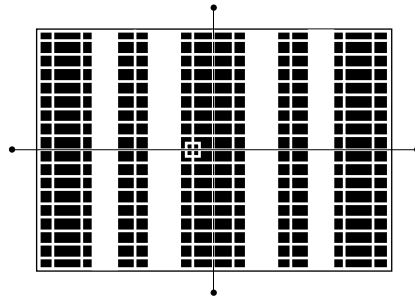
Rotate R, G, B deflection yoke so that picture becomes horizon, then fasten screw.

### CENTERING ADJUSTMENT

1. Stretch a thread between two center of screen edge (top and bottom, left and right).

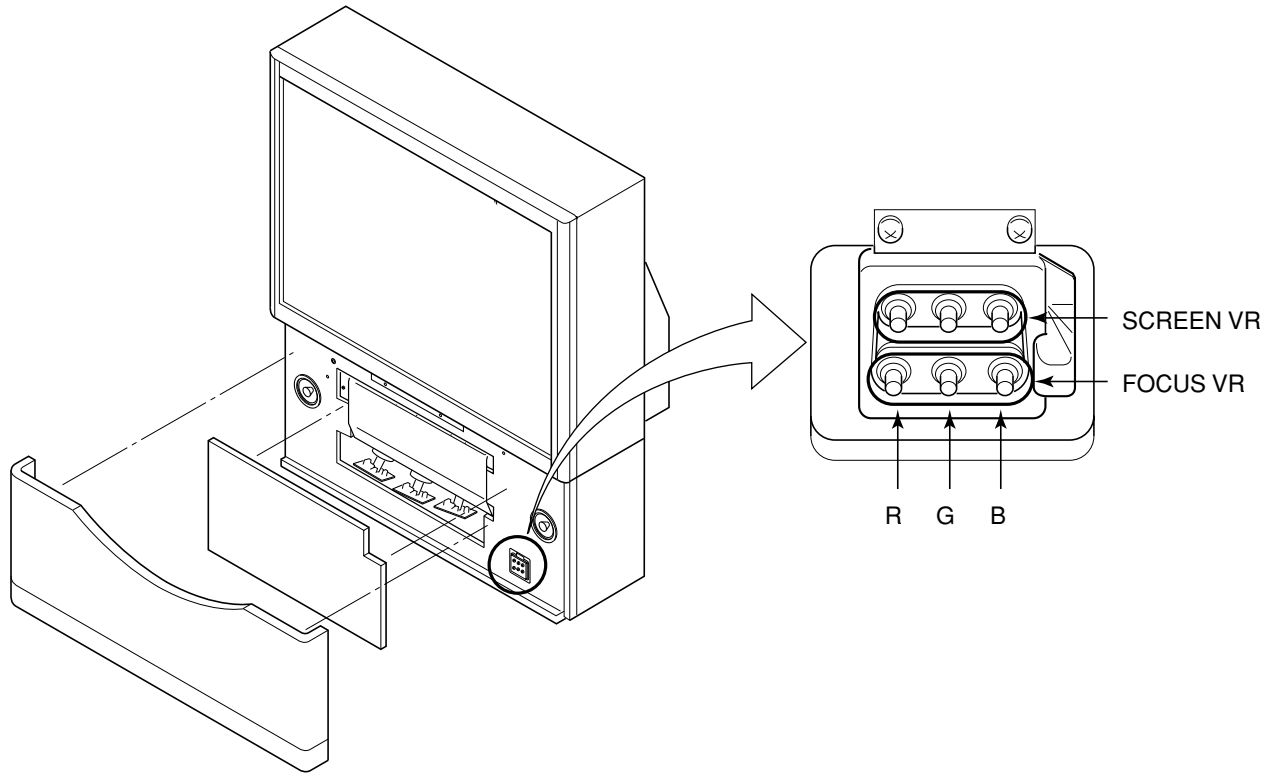


2. Receive NTSC or HD signal. If the picture mode is COMPRESSION, exit this mode and select the FULL mode.  
Then select SERVICE MODE. (See Page 9.)
3. Select CONVERGENCE ADJUSTING mode, and press "7" button to display the built-in cross-hatch pattern. Move Cursor and recognize horizontal line indicated Y:4. This line is vertical center. Push "9" button to display the vertical stripes, and recognize horizontal center.



4. Perform VCEN adjustment. (See page 11.)
5. Adjust G centering magnet so that the cross-bar pattern center comes to screen center.
6. Perform HEIGHT adjustment. (See page 12.)
7. Perform VERT. LINEARITY adjustment.
8. Perform WIDTH adjustment. (See page 11.)
9. Check whole quality of green line.
10. Adjust R, B centering magnet so that the cross-bar pattern center comes to screen center.

**LOCATION OF SCREEN AND FOCUS VR'S**



## REPLACEMENT OF THE CRT

Service parts are provided for each R, G and B.  
The contents of the parts are as follows.

	R	G	B
HITACHI CRT	23008174	23008175	23008176

### REPLACEMENT OF HIGH VOLTAGE CABLE

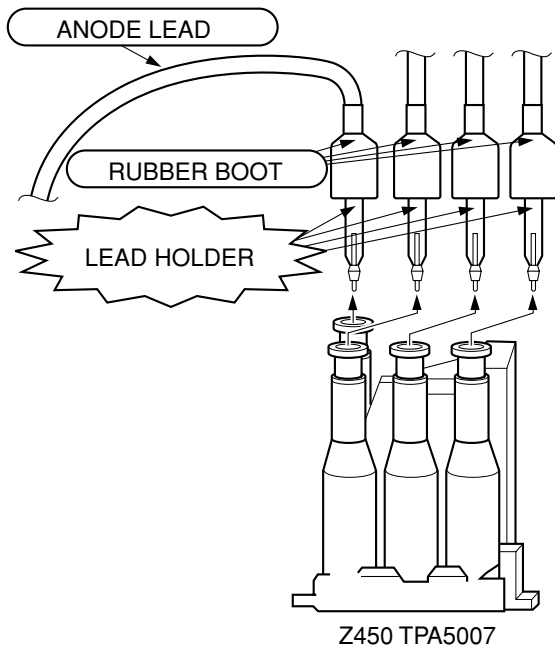


Fig. a

1. When replacing Anode Lead or Anode Cap with new one, remove Lead Holder from old lead as shown in figure below, and put it on new lead. Do not throw away Lead Holder.

**NOTE : THE LEAD HOLDER IS ATTACHED TO TPA5007 (Z450), BUT IS NOT ATTACHED TO ANODE LEAD AND ANODE CAP. RUBBER BOOT IS ATTACHED TO ANODE LEAD AND ANODE CAP.**

2. Detaching Lead Holder

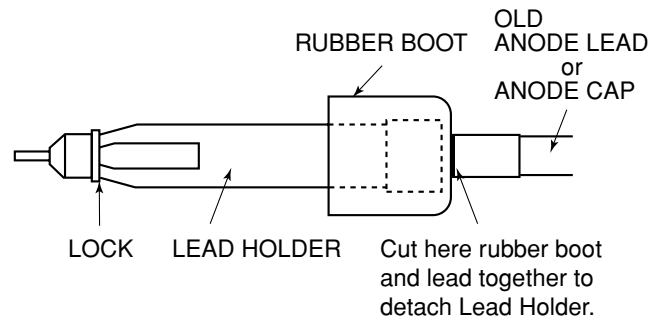


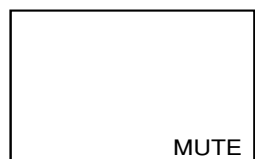
Fig. b



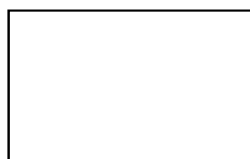
## SERVICE MODE

### 1. ENTERING TO SERVICE MODE

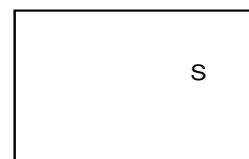
1) Press MUTE button twice on Remote Control.



2) Press MUTE button again to keep pressing.



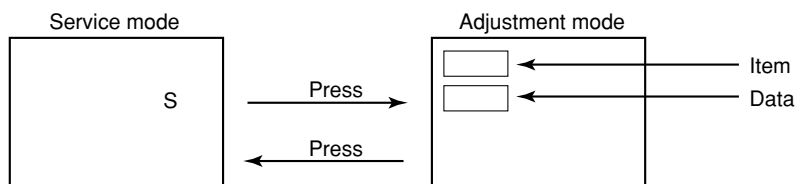
3) While pressing the MUTE button, press MENU button on TV set.



(Service mode display)

### 2. DISPLAYING THE ADJUSTMENT MENU

1) Press MENU button on TV.



### 3. KEY FUNCTION IN THE SERVICE MODE

The following key entry during display of adjustment menu provides special functions.

Screen adjustment mode ON/OFF:	TV (ANT)/VIDEO button (on TV)
Selection of the adjustment items :	Channel ▲/▼ (on TV or Remote)
Change of the data value :	Volume ▲/▼ (on TV or Remote)
Adjustment menu mode ON/OFF :	MENU button (on TV)
Initialization of the memory (QA02) :	RECALL+Channel button on TV (▲)
Initialization of the self diagnostic data:	RECALL+Channel button on TV (▼)

“RCUT” selection :	1 button
“GCUT” selection :	2 button
“BCUT” selection :	3 button
“SCNT” selection :	4 button
“SCOL” selection :	5 button
“TNTC” selection :	6 button
Convergence adj :	7 button
Test audio signal ON/OFF (1kHz) :	8 button
Self diagnostic display :	9 button

**4. SELECTING THE ADJUSTING ITEMS**

- 1) Every pressing of CHANNEL ▲ button in the service mode changes the adjustment items in the order of table-2. (▼ button for reverse order)

Refer to table-2 for preset data of adjustment mode.  
(See SETTING & ADJUSTING DATA on page 18)

**5. ADJUSTING THE DATA**

- 1) Pressing of VOLUME ▲ or ▼ button will change the value of data in the range from 00H to FFH. The variable range depends on the adjusting item.

**6. EXIT FROM SERVICE MODE**

- 1) Pressing POWER button to turn off the TV once.

**■ INITIALIZATION OF MEMORY DATA OF QA02**

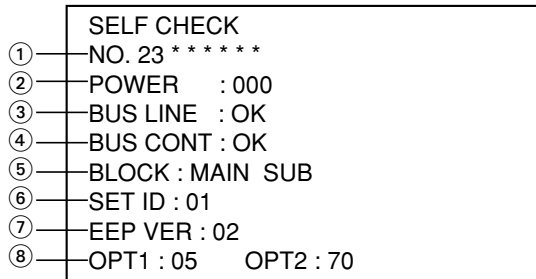
After replacing QA02, the following initialization is required.

1. Enter the service mode, then select any register item.
2. Press and hold the RECALL button on the Remote, then press the CHANNEL ▲ button on the TV. The initialization of QA02 has been completed.
3. Check the picture carefully. If necessary, adjust any adjustment item above.  
Perform "Programming Channel Memory" on the owner's manual.

CAUTION: Never attempt to initialize the data unless QA02 has been replaced.

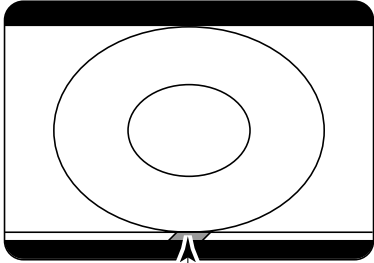
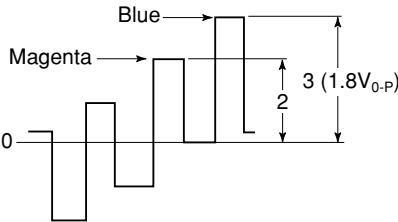
**7. SELF DIAGNOSTIC FUNCTION**

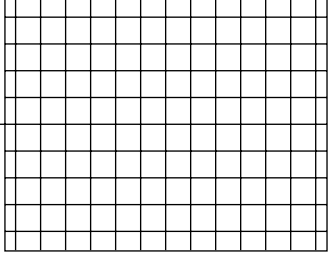
- 1) Press "9" button on Remote Control during display of adjustment menu in the service mode.  
The diagnosis will begin to check if interface among IC's are executed properly.
- 2) During diagnosis, the following displays are shown.



- ① Part number of microprocessor (QA01)
- ② Operation number of protection circuit (current limiter) . . . "000" is normal.
- ③ BUS line check ——— "OK" ..... Normal  
  "SC-L-GND" or "NG" ..... SCL-GND short circuit  
  "SDA-GND" or "NG" ..... SDA-GND short circuit  
  "SCL-SDA" or "NG" ..... SCL-SDA short circuit
- ④ BUS line ACK (acknowledge) check  
  "OK" ..... Normal  
  Display of Location Number . . . NG  
  (Display example)  
  "QA02 NG", "H001 NG", "Q501 NG" etc.  
  Note: The indication of failure place is only one place though failure places are plural. When  
  repair of a failure place finishes, the next failure place is indicated. (The order of priority of  
  indication is left side.)
- ⑤ Sync. signal check ——— Green display ..... Normal  
  Red display ..... NG  
  MAIN ..... Main sync  
  SUB ..... Sub sync (when turn on the PIP)
- ⑥ ID code for TV Set
- ⑦ Version of "EEP"
- ⑧ Data for "OPT"

## ELECTRICAL ADJUSTMENT

ITEM	ADJUSTMENT PROCEDURE	
$f_H$ (free-running frequency of Hor. oscillator)	<ol style="list-style-type: none"> <li>1. Receive NTSC signal.</li> <li>2. Short the terminal "TP <math>+9V</math>" and the terminal "TP (Free run)" on the signal board with a jumper wire.</li> <li>3. Connect the probe of frequency counter to the lead of R426 and GND.</li> <li>4. Adjust the frequency to "<math>33.75 \pm 0.2</math> kHz" by turning R4034 on DPC Board.</li> <li>5. Disconnect the shorted wire, then confirm that the picture is synchronized.</li> </ol>	
VERTICAL POSITION (VCEN)	<ol style="list-style-type: none"> <li>1. Receive NTSC signal.</li> <li>2. Connect the probe of digital voltmeter to TP-V and TP-G on SIGNAL Board.</li> <li>3. Call up the adjustment mode display, then select the item VCEN.</li> <li>4. Press the VOLUME <math>\blacktriangle</math> or <math>\blacktriangledown</math> button to get the voltage <math>0 \pm 10</math> mV.</li> </ol>	
PICTURE POSITION (HPOS)	<ol style="list-style-type: none"> <li>1. Receive NTSC signal.</li> <li>2. Call up the adjustment mode display.</li> <li>3. Select the item "HPOS", and adjust the data to "80H".</li> <li>4. Adjust the picture position alternately by turning CENTERING MAGNETS for proper picture position.</li> <li>5. Check the picture with off-air signal.</li> </ol>	
WIDTH (WID)	<ol style="list-style-type: none"> <li>1. Receive NTSC signal.</li> <li>2. Call up the adjustment mode display, then select the item WID.</li> <li>3. Press the VOLUME <math>\blacktriangle</math> or <math>\blacktriangledown</math> button to get the picture so that left and right edges of video signal begin to lack.</li> <li>4. Press the VOLUME <math>\blacktriangle</math> button to advance the data by 8 steps.</li> </ol> <p>NOTE: Check the horizontal picture position is correct.</p>	
SUB-BRIGHTNESS (BRTC)	<ol style="list-style-type: none"> <li>1. Constrict the picture height until the vertical retrace line appears adjusting the HEIGHT control on the MAIN board.</li> <li>2. Adjust the CONTRAST to the minimum and BRIGHTNESS to the center.</li> <li>3. Enter the service mode, then select "BRTC" register.</li> <li>4. Adjust the data value so the belt of vertical retrace line just disappear.</li> <li>5. Adjust the CONTRAST for the desired contrast.</li> <li>6. Adjust the HEIGHT control.</li> </ol>	 <p style="text-align: center;">Vertical retrace line</p>
SUB-COLOR (SCOL)	<ol style="list-style-type: none"> <li>1. Receive color-bar signal from color-bar generator.</li> <li>2. Adjust the BRIGHTNESS and CONTRAST to the center (RESET status).</li> <li>3. Connect oscilloscope to TP501 on the MAIN board.</li> <li>4. Enter the service mode, then select "SCOL".</li> <li>5. Adjust the data value to achieve <math>1.8V_{0-p}</math> of blue bar on scope.</li> <li>6. Check the picture with off-air signal.</li> </ol>	

ITEM	ADJUSTMENT PROCEDURE
HEIGHT (HIT)	<ol style="list-style-type: none"> <li>1. Receive NTSC signal.</li> <li>2. Call up the adjustment mode display and select the item HIT.</li> <li>3. Press the VOLUME ▲ or ▼ button to get the picture so that top and bottom of video signal begin to lack.</li> <li>4. Press the VOLUME ▲ button to advance the data by 8 steps.</li> </ol> <p>Note: Check the vertical picture position is correct. Adjust the data of height after vertical linearity.</p>
VERTICAL LINEARITY (VLIN) (FULL mode only)	<ol style="list-style-type: none"> <li>1. Receive cross-hatch pattern.</li> <li>2. Call up the adjustment mode display, then select the item <b>VLIN</b>.</li> <li>3. Press the VOLUME ▲ or ▼ button to obtain the picture of the best linearity.</li> <li>4. Then readjust the item HIT.</li> </ol> 
WHITE BALANCE (RCUT) (GCUT) (BCUT) (RDRV) (BDRV)	<ol style="list-style-type: none"> <li>1. Press RESET button on TV or remote hand set.</li> <li>2. Call up the adjustment mode display, then adjust the data of items <b>RCUT</b>, <b>GCUT</b> and <b>BCUT</b> to "80".</li> <li>3. Press TV (ANT)/VIDEO button on TV.</li> <li>4. Gradually rotate R, G and B SCREEN volume of FOCUS PAC (page 8) clockwise or counterclockwise until the raster appears slightly on the CRT through the each lens, and leave them. (Look into the lens in order to check the raster.)</li> <li>5. Press TV (ANT)/VIDEO button on TV again.</li> <li>6. Exit from service mode.</li> <li>7. Receive white raster pattern signal, and adjust the contrast to the minimum to make white picture to low light.</li> <li>8. Adjust the data of items <b>RCUT</b>, <b>GCUT</b> and <b>BCUT</b> for low light area.</li> <li>9. Adjust the contrast to the maximum to make white picture to high light.</li> <li>10. Adjust the data of items <b>RDRV</b> and <b>BDRV</b> Controls for proper white-balanced picture in high light area.</li> <li>11. Check the white balance in both low and high light areas. If necessary, perform again steps from 7 to 9.</li> </ol>

## CONVERGENCE ADJUSTMENT

Adjust convergence from center to circumference in order.

### KEY FUNCTION IN THE CONVERGENCE ADJUSTMENT:

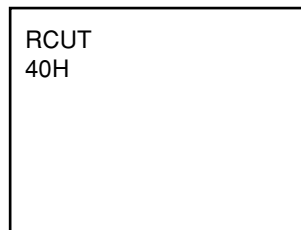
Lord BACK UP DATA:	1 button
Up :	2 button
Selet Green color:	3 button
Left :	4 button
Blinking of cursor ON/OFF:	5 button
Right:	6 button
Adjust mode ON/OFF:	7 button
Down:	8 button
Vertical stripe ON/OFF	9 button
Erase Green line:	0 button
Erase Red line:	100 button
Erase Blue line:	ENT button

### Note:

Adjusting procedure in replacing convergence board.

1. User convergence center check. Make sure the best convergence setting is about the center of adjustable range.
2. CENTERING ADJUSTMENT
3. PICTURE POSITION ADJUSTMENT
4. HIT, WID ADJUSTMENT
5. CONVERGENCE ADJUSTMENT
6. Execute TOUCH FOCUS following instructions displayed on the screen after finishing CONVERGENCE ADJUSTMENT.
7. If TOUCH FOCUS ERROR is displayed after finishing TOUCH FOCUS, the method of CROSS-HATCH PATTERN after CONVERGENCE adjustment is different from what is exhibited on the right figure, or HARDWARE is out of order.

1. Select the adjustment mode following the steps on page 9.



2. Press "7" button to display the built-in cross-hatch pattern and press "9" button to display the vertical stripes.
3. If there is need to load BACKUP DATA, push "1" button, and then push "ENTER" button according to following message. Convergence become adjusted state at factory by this action.  
If there is no need, pass this process.  
Never to use this function to new convergence board, because BACKUP DATA is not exist.
4. Adjustment around cursor can be done.  
The pattern includes three colors (R, G, B).  
The cursor should be blinking in Red.  
This means that the Red color is adjustable.
5. Press "3" button to select Green color to be adjusted.
6. Press "5" button to stop the blinking of cursor.
7. Press "2 (up)", "8 (down)", "4 (left)" or "6 (right)" to obtain the correct cross-hatch pattern as above.  
If necessary, the specified color line can be erased from the screen.  
100 button ..... to erase Red line  
0 button ..... to erase Green line  
CH RTN button ..... to erase Blue line
8. Press "5" button to make the cursor blinking.
9. Press "2", "8", "4", "6" buttons to move the cursor to other point to be adjusted.
10. Repeat steps 6 to 9.
11. Repeat steps 5 to 10 to adjust Red and Blue colors.  
Converge the selected color line into the Green line.
12. Press "7" button to memorize the adjusted states.  
At this time, picture changes for about 1 second.
13. Press the TOUCH FOCUS button when "PLEASE PUSH TOUCH FOCUS" is displayed on the screen.
14. TOUCH FOCUS CALIBRATION MODE is executed.
15. It returns to the normal screen after displaying "CALIBRATION FINISHED".

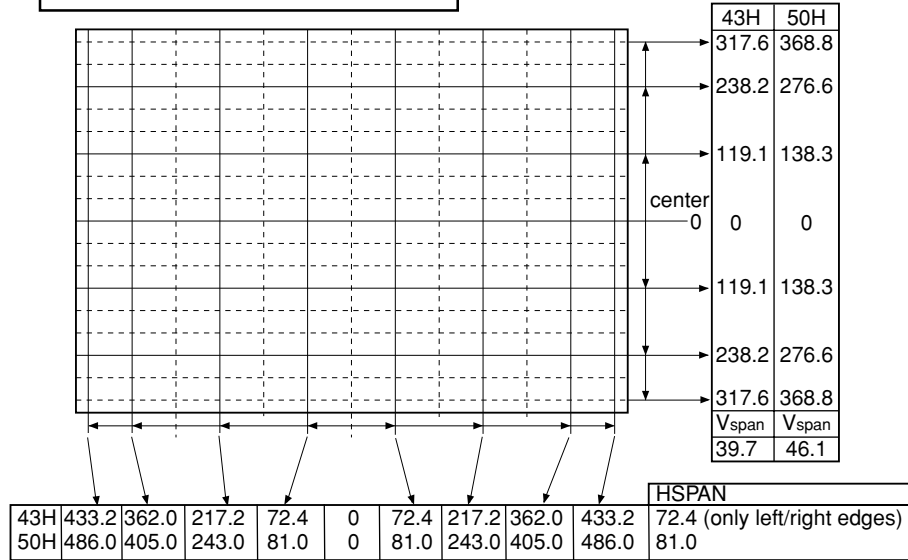
**ADJUSTING DIMENSION OF EACH PICTURE SCREEN 43 inches/50 inches**

1. (4:3) (HD/NTSC)

- Adjust right and left 5.5 horizontal lines of RETMA signal for picture screen size after adjustment.
- On one vertical side, the ellipse encircling a tiger mark should contact the upper limit of screen and the 12th line should be visible at the screen bottom.

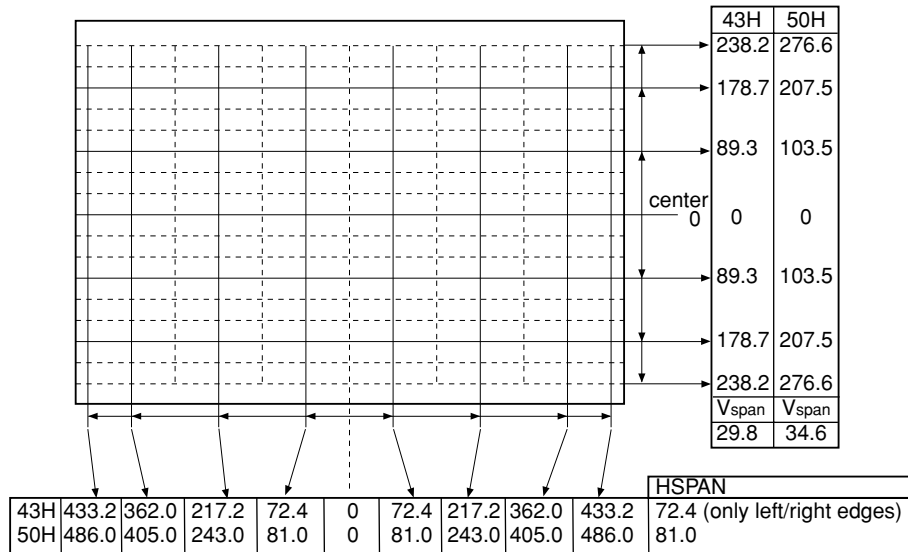
NET GEOMETRY

SCREEN SIZE 43H72 (874 \* 655)  
50H72 (1014 \* 760)



2. (16:9) (HD)

- For (16:9) type, the screen's vertical size will be 75% of that of ordinary type.
- Adjust top and bottom 3.5 lines and right and left 5.5 horizontal lines of HD signal (generated by the signal generator, VG819) for picture screen size after adjustment.
- 6.5 right and left horizontal lines should be adjusted for only 43-inch type screen.



**NOTES**

In many cases, color misconvergence may be corrected by returning HIT and WID data in main deflection side to initial adjusting values. Following cases will surely require readjustment of convergence.

**CRT REPLACEMENT**

When CRT is replaced, main deflection readjustment and color matching are required.

Perform following procedures.

1. Replace two CRT's of blue and red.
2. Perform horizontal adjustment for blue and red yokes on base of green CRT data. Mount yoke and velocity mod. coil alignment, pushing towards CRT without gap.
3. Adjust alignment of blue and red. (Refer Alignment adjustment for details.)
4. Rotating centering magnet, adjust CRT centers of red and blue to CRT center of green.  
(Picture position adjustment)
5. Adjust HIT and WID data of main deflection, and decide data at the most precise screen comparing to green data.
6. Adjust convergence of screen picture for color matching. Do not move green one at this time.
7. After convergence adjustment of screen picture finishes, replace green CRT.  
For green CRT as well, repeat steps 2 to 5 above on bases of red and blue color matching to adjust convergence.
8. Execute TOUCH FOCUS following instructions displayed on the screen after finishing convergence adjustments of all the colors.

Note: Press button "7" again after "PLEASE PUSH TOUCH FOCUS" has been displayed. Then, TOUCH FOCUS will not be executed, and the current state of convergence will be displayed.

**REPLACING CONVERGENCE UNIT**

When replacing convergence unit, picture screen require readjustment basically, but the following method allows process be reduced considerably.

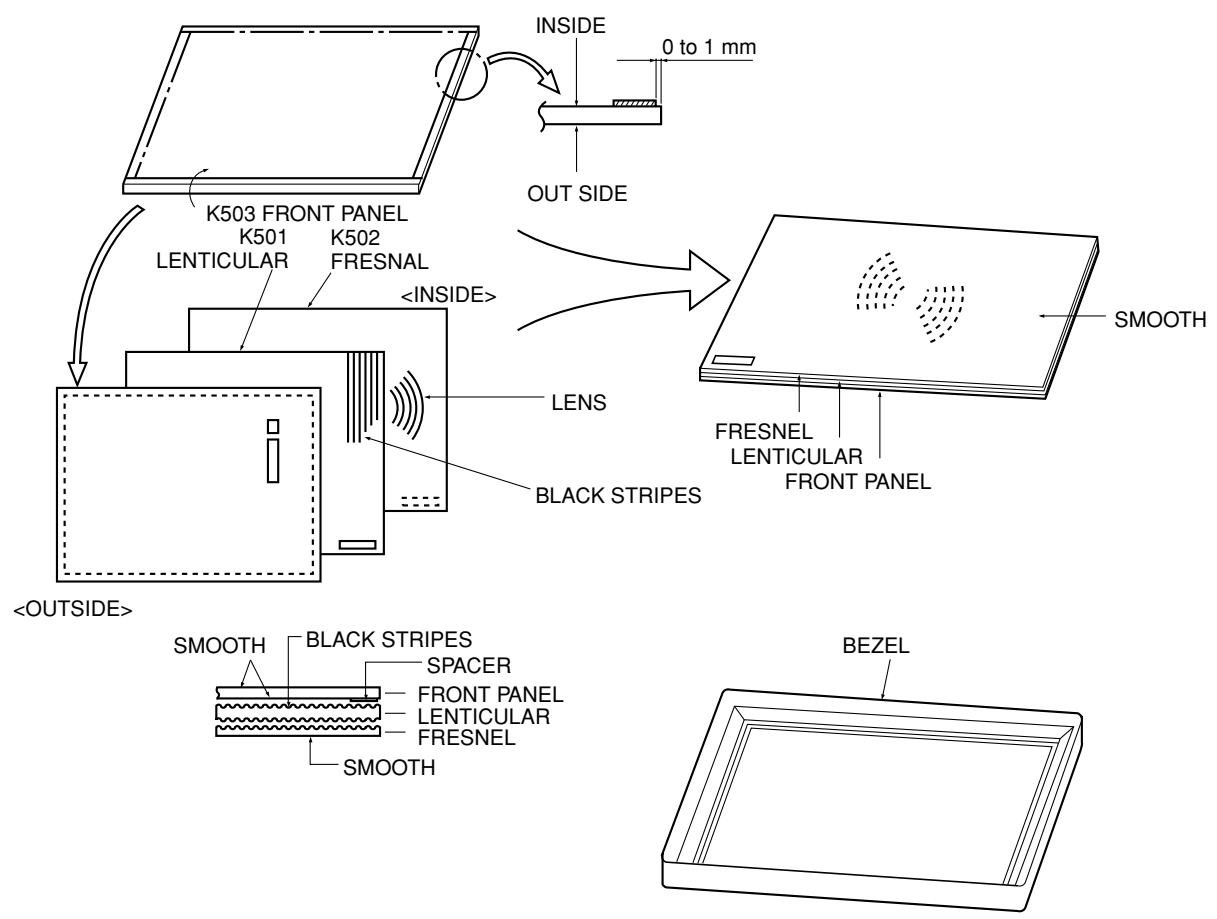
1. Replace the memory (Q713) on defective unit with memory on new unit. Mounting the unit on the SET after the above working realizes picture screen before replacement immediately.
2. Mount unit which has old memories, on SET and turn it on. Screen shows whole picture looks like straightly shifted towards vertical or horizontal direction.
3. Adjust again centers of green, red and blue with centering magnets.
4. Check picture screen for slight disparity of color and picture size. If necessary, add some adjustments of main deflection and color matching of convergence.
5. Execute TOUCH FOCUS following instructions displayed on the screen after finishing convergence adjustments of all the colors.

Note: Press button "7" again after "PLEASE PUSH TOUCH FOCUS" has been displayed. Then, TOUCH FOCUS will not be executed, and the current state of convergence will be displayed.

# SCREEN AND MIRROR ALIGNMENTS

## ASSEMBLING OF FRONT SCREEN

## MOUNTING OF FRONT SCREEN



\* Refer to page 22 for 43".

**CAUTION :** Do not hold the optical system parts (lens and mirror) with bare hand to avoid finger-prints on the surface of those parts.

- HOW TO CLEAN LENS AND MIRROR**
1. Be sure to remove sand dust with an air brush, etc.
  2. When it is stained slightly, breathe upon it and wipe away with the specified cleaning cloth.
- For other stains than the above, wipe the stains away with the specified cloth into which a cleaning liquid has been soaked.

Cleaning liquid ..... **LENS LUSTER** (Manufactured by Edmund Scientific Co.), etc.

- HOW TO CLEAN SCREEN**
- When cleaning the screen, use a soft cloth so as not to damage the screen.
1. Wipe the screen with a dry cloth to remove moisture on the screen.

**Note :** Absolutely do not use detergent, water, alcohol, benzine, thinner, etc. for cleaning in order not to wipe away the black print on the surface.



## CIRCUIT CHECKS

### HIGH VOLTAGE CHECK

**CAUTION:** There is no HIGH VOLTAGE ADJUSTMENT on this chassis. Checking should be done following the steps below.

1. Connect an accurate high voltage meter to the anode of the picture tube.
2. Turn on the receiver. Set the BRIGHTNESS and CONTRAST to minimum (zero beam current).
3. High voltage must be measured below (B) kV.

Refer to table-1 for high voltage (B).  
(See SETTING & ADJUSTING DATA on page 18)

4. Vary the BRIGHTNESS to both extremes to be sure the high voltage does not exceed the limit under any conditions.

**CAUTION:**

When the following parts fail, check the High Voltage after replacing.

Location No.	Name	Descriptions
		50", 43"
T461	Flyback	TFB3092AD
C407	Capacitor	4700pF, ±3%
C408	Capacitor	8200pF, ±5%
C441	Capacitor	4700pF, ±3%
C432	Capacitor	8200pF, ±5%
C433	Capacitor	1200pF, ±3%

### ANODE VOLTAGE MEASURING METHOD

**CAUTION:** Take extra precaution when measuring this high voltage. High voltages are also present in surrounding circuit boards (CRT DRIVE assembly, DEFLECTION assembly, and POWER SUPPLY assembly).

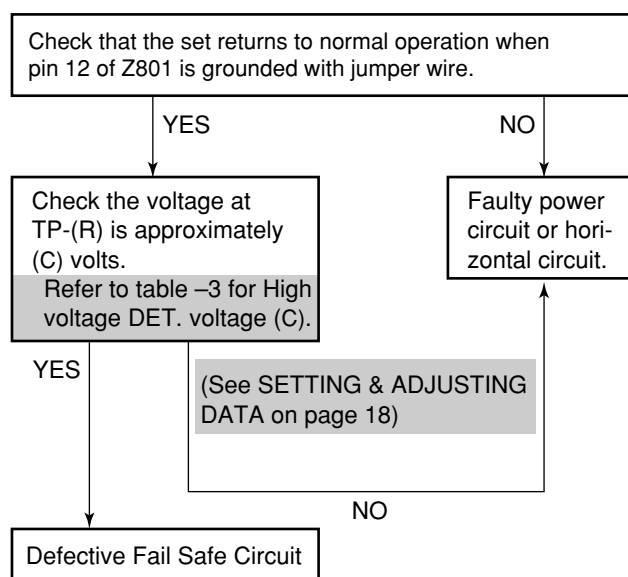
1. Disconnect the FBT anode cable as outlined below. Measure high voltage at the point where the cable enters the FBT.
2. Holding the rubber cover firmly, turn it counterclockwise and check that the lock has been disengaged. (See Fig. b on page 8.)
3. Determine the extent of the rubber cover before disconnecting the cable.
4. Pull straight up the anode cable to disconnect.
5. When reconnecting the cable, proceed in the reverse order. After reconnecting, tug on the cable to check that it is secure.

### FS CIRCUIT CHECK

The Fail Safe (FS) circuit check is indispensable for the final check in servicing. Checking should be done following the steps below.

1. Turn the receiver on.
2. Temporarily short TP- (R) and TP- (X) on the DEF/POWER Board with a jumper wire. Raster and sound will disappear.
3. The receiver must remain in this state even after removing the jumper wire. This is the evidence that the FS circuit is functioning properly.
4. To obtain a picture again, temporarily turn the receiver off and allow the FS circuit more than 5 seconds to reset. Then turn the receiver on to produce a normal picture.

### Troubleshooting Guide for Fail Safe Circuit



## CHAPTER 2 SPECIFIC INFORMATIONS

### SETTING & ADJUSTING DATA

#### 【 SAFETY INSTRUCTIONS 】

		50"	43"
HIGH VOLTAGE AT ZERO BEAM:	(A)	31.0 kV	31.0 kV
MAX HIGH VOLTAGE:	(B)	32.5 kV	32.5 kV

Table-1

#### 【 SERVICE MODE 】

##### ADJUSTING ITEMS AND DATA IN THE SERVICE MODE:

Item	Name of adjustment	Preset	Data	Item	Name of adjustment	Preset	Data
RCUT	R CUTOFF	80H	←	VPS	V-SHIFT	0AH	←
GCUT	G CUTOFF	80H	←	COLC	COLOR	54H	←
BCUT	B CUTOFF	80H	←	VCP	V-COMPENSATE	0AH	←
RDRV	R DRIVE	40H	←	PARA	E-W PARABOLA (DPC)	28H	←
BDRV	B DRIVE	40H	←	CNR	E-W CORNER	08H	←
BRTC	SUB-BRIGHT	80H	←	HCP	H-COMPENSATE	00H	←
TNTC	SUB-TINT	48H	←	VFC	V-F CORRECT	00H	←
SCOL	SUB COLOR	0BH	←	PHUE	PIP TINT	40H	←
SCNT	SUB-CONTRAST	15H	←	PCNT	PIP CONT	18H	←
HPOS	HORIZ. POSITION	80H	←	PCOL	PIP COLOR	1AH	←
VPOS	VERT. POSITION	19H	←	VCEN	V POSITION	80H	←
HIT	HEIGHT	55H	55H	TVOP	TV OPTION	18H	←
LIN	V-LINEARITY	14H	←	OPT1	TV SET OPTION	50H	←
VSC	V-S CORRECTION	10H	←	OPT2	TV SET OPTION	8DH	8DH/ADH
WID	PICTURE WIDTH	1FH	←				

Table-2

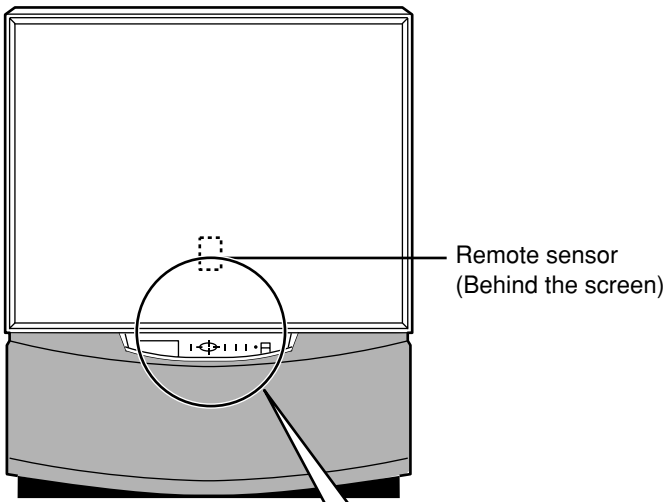
#### 【 CIRCUIT CHECKS 】

HIGH VOLTAGE DET. VOLTAGE	(C)	7.5~8.5V
---------------------------	-----	----------

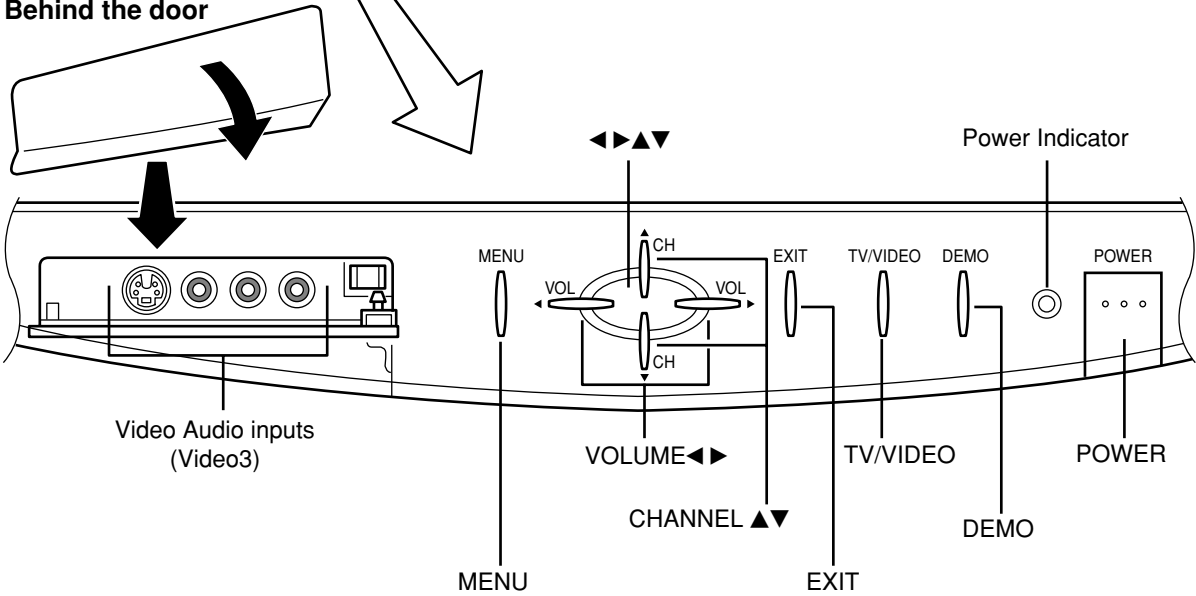
Table-3

# LOCATION OF CONTROLS (Representative : 50H72)

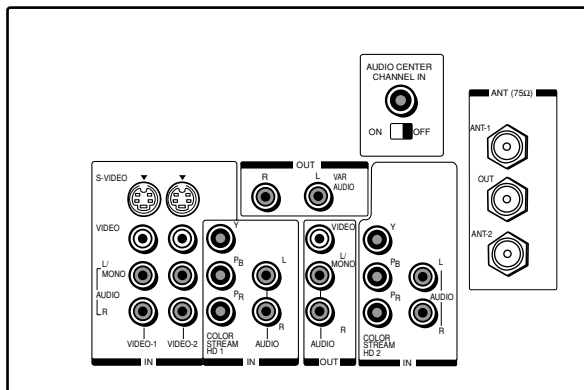
## TV front



## Behind the door

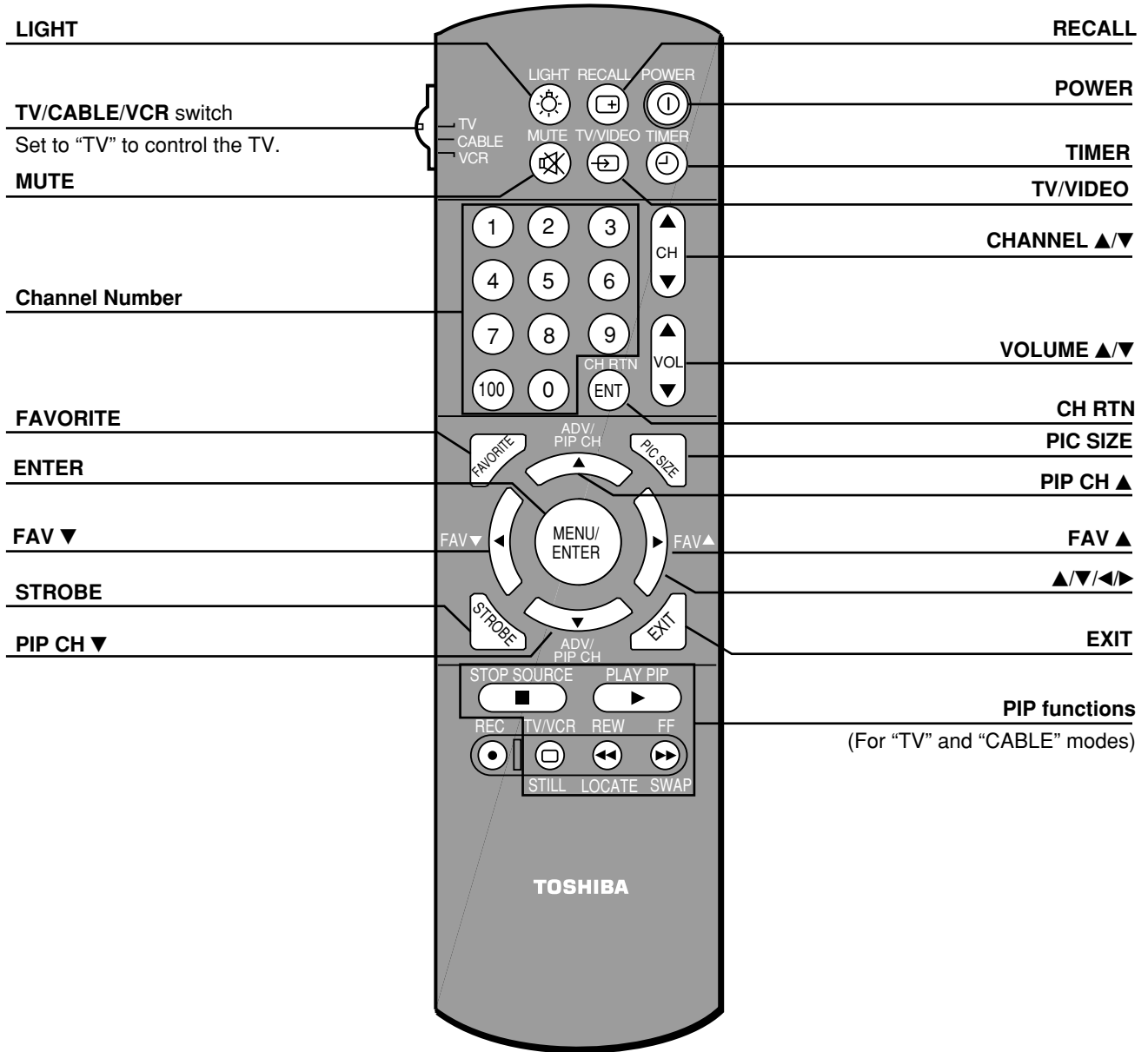


## TV rear



# Remote Control

SPECIFIC INFORMATIONS



# PROGRAMMING CHANNEL MEMORY

The channel memory is the list of TV channel numbers the TV tunes in when you press the CHANNEL ▲ or ▼ button.

**First, use the TV/CABLE and CH PROGRAM functions to preset all active channels in your area automatically.**

If necessary, arrange the preset channels with the ADD/ERASE functions so that you can tune into only desired channels.

**Note:** If you utilize both ANT-1 and ANT-2 terminals for some model, perform programming channels for each input source.

## TV/CABLE function

- 1 Press **MENU**, then press ► or ◀ until the SET UP menu appears.
- 2 Press ▼ (or ▲) until “TV/CABLE” is highlighted.
- 3 Press ► or ◀ to highlight either “TV” or “CABLE”, whichever you use.

## CH PROGRAM function

- 1 Select “CH PROGRAM” following steps 1 and 2 above.
- 2 Press ► or ◀ to start channel programming.  
The TV will automatically cycle through all the TV or CABLE channels selected by the TV/CABLE function, and store active channels in the channel memory.
- 3 When channel programming is complete, you will see the message to the right appears.
- 4 Press **CHANNEL ▲** or **▼** to make sure the channel programming has been done properly.

## ADD/ERASE function

After performing the CH PROGRAM function, you can add or erase specific channels.

- 1 Select the channel you want to erase using the **CHANNEL ▲** or **▼** button, or select the channel you want to add using the **Channel Number** buttons.
- 2 Press **MENU**, then press ► or ◀ until the SET UP menu appears.
- 3 Press ▼ (or ▲) until “ADD/ERASE” is highlighted.
- 4 Press ► or ◀ :  
**To erase the channel** press the button until “ERASE” is highlighted.  
**To add the channel** press the button until “ADD” is highlighted.
- 5 Repeat steps 1 to 4 for other channels.

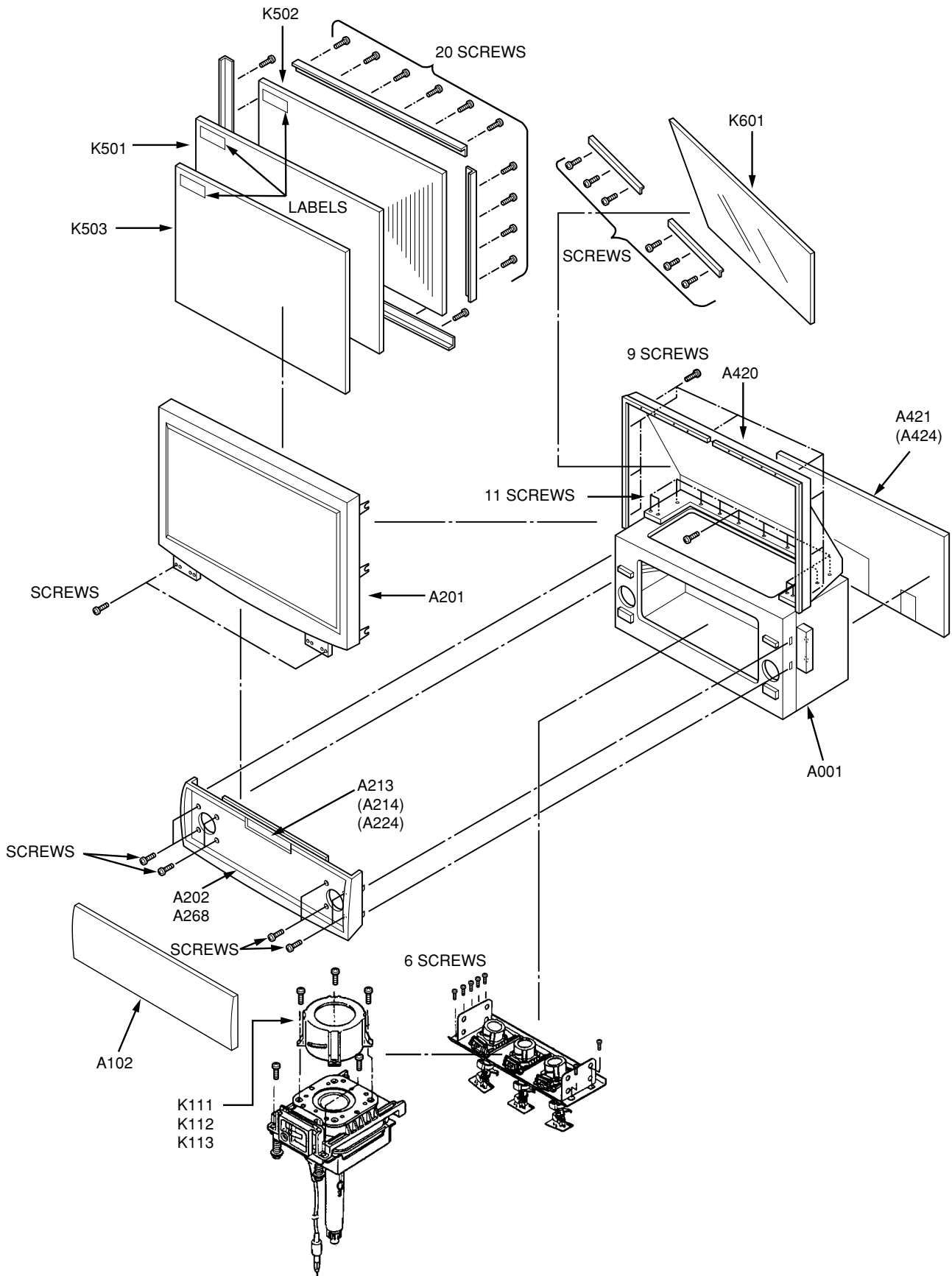
You have now completed the channel programming.

**Note:** The CHANNEL ▼/▲ buttons on the TV function as the ▼/▲ buttons while a menu is on the screen.

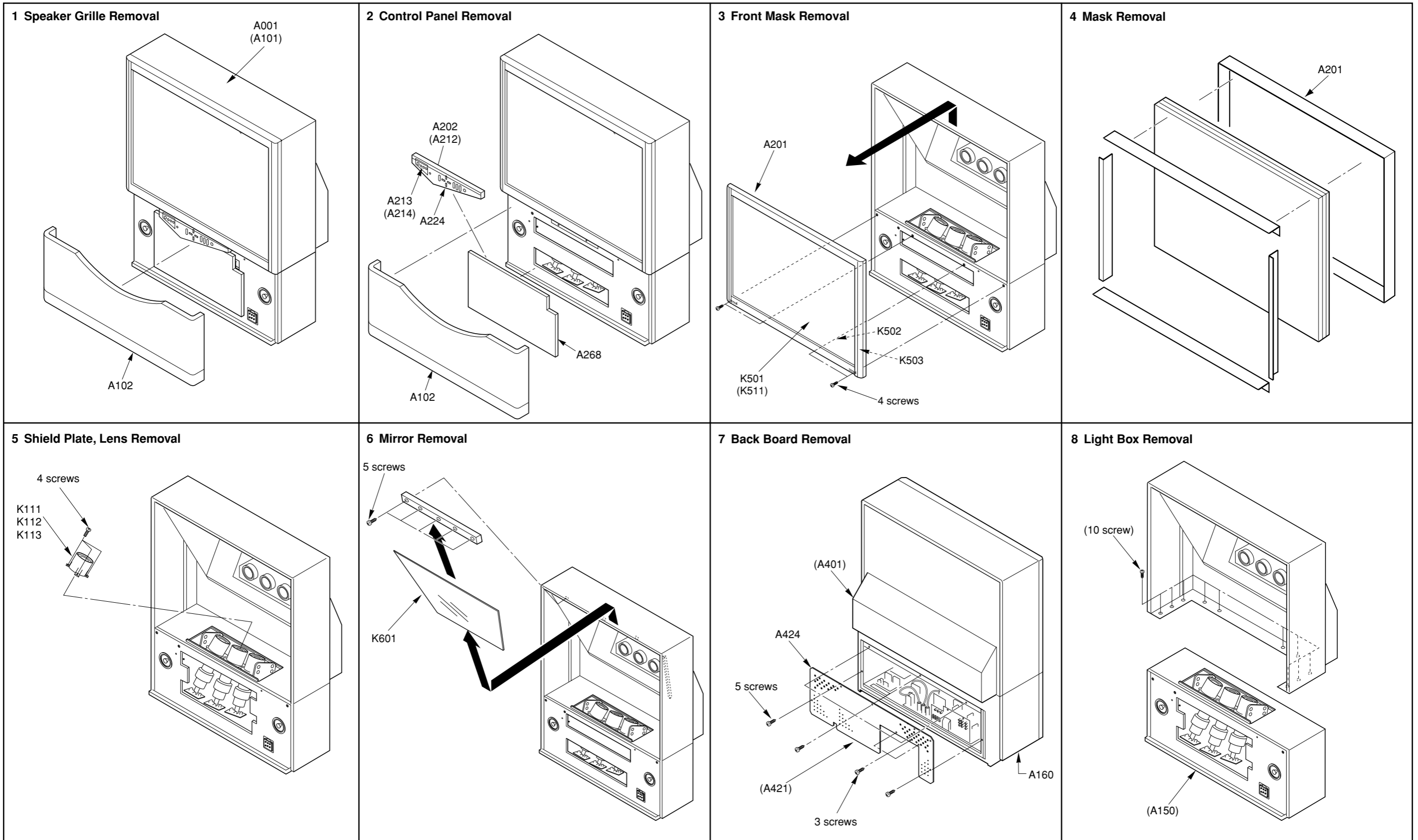
\* Please refer to owner's manual in detail.

# MECHANICAL DISASSEMBLY (for 43")

SPECIFIC INFORMATIONS



## MECHANICAL DISASSEMBLY (for 50")



**THIS PAGE IS  
INTENTIONALLY LEFT  
BLANK.**



## CHASSIS REPLACEMENT PARTS LIST

**WARNING:** BEFORE SERVICING THIS CHASSIS, READ THE "X-RAY RADIATION PRECAUTION", "SAFETY PRECAUTION" AND "PRODUCT SAFETY NOTICE" ON PAGE 3 OF THIS MANUAL.

**CAUTION:** The international hazard symbols "⚠" in the schematic diagram and the parts list designate components which have special characteristics important for safety and should be replaced only with types identical to those in the original circuit or specified in the parts list. The mounting position of replacements is to be identical with originals. Before replacing any of these components, read carefully the PRODUCT SAFETY NOTICE. Do not degrade the safety of the receiver through improper servicing.

**NOTICE:**

- The part number must be used when ordering parts, in order to assist in processing, be sure to include the Model number and Description.
- The PC board assembly with \* mark is no longer available after the end of the production.

**Models : 50H72/43H72**

Capacitors .....	CD : Ceramic Disk	PF : Plastic Film	EL : Electrolytic
Resistors .....	CF : Carbon Film	CC : Carbon Composition	MF : Metal Film
	OMF : Oxide Metal Film	VR : Variable Resistor	FR : Fusible Resistor

(All CD and PF capacitors are ±5%, 50V and all resistors, ±5%, 1/6W unless otherwise noted.)

Location No.	Parts No.	Description
<b>CAPACITORS</b>		
C102	24665221	ELECTROLYTIC, 10V 220UF M 3A
C105	24100102	CERAMIC CHIP CK73F 50V 1000PF Z
C106	24669479	ELECTROLYTIC, 50V 4.7UF M 3A
C107	24666221	ELECTROLYTIC, 16V 220UF M 3A
C112	24665221	ELECTROLYTIC, 10V 220UF M 3A
C115	24100102	CERAMIC CHIP CK73F 50V 1000PF Z
C117	24666221	ELECTROLYTIC, 16V 220UF M 3A
C205	24206229	ELECTROLYTIC, 50V 2.2UF M 7L 3A
C207	24105100	CERAMIC CHIP, 50V CH 10PF D
C208	24105100	CERAMIC CHIP, 50V CH 10PF D
C209	24105100	CERAMIC CHIP, 50V CH 10PF D
C212	24666100	ELECTROLYTIC, 10V 10UF M 3A
C221	24503041	PLASTIC FILM , 63V 0.1UF J
C301	24617820	ELECTROLYTIC, 50V 100UF M 11L 3D
C302	24669101	ELECTROLYTIC, 50V 100UF M 3A
C303	24109473	CERAMIC CHIP, 25V B 47000PFK
C304	24503053	PLASTIC FILM, 63V 1UF J
C305	24082057	PLASTIC FILM, 100V 220000PF J
C306	24082260	PLASTIC FILM, 100V 4700PF J
C307	24109333	CERAMIC CHIP CK73B 25V 33000PFK
C308	24617820	ELECTROLYTIC, 50V 100UF M 11L 3D
C309	24693473	PLASTIC FILM, 100V 0.047UF J
C311	24109471	CERAMIC CHIP, 50V B 470PF K
C312	24666100	ELECTROLYTIC, 10V 10UF M 3A
C313	24666220	ELECTROLYTIC, 16V 22UF M 3A
C321	24503041	PLASTIC FILM , 63V 0.1UF J
C322	24503045	PLASTIC FILM, 63V 0.22UF J
C323	24503045	PLASTIC FILM, 63V 0.22UF J
C324	24073053	ELECTROLYTIC, 25V 100UF M 3A
C325	24503041	PLASTIC FILM , 63V 0.1UF J
C326	24503041	PLASTIC FILM , 63V 0.1UF J
C327	24567103	PLASTIC FILM, 50V 0.01UF J
C328	24617912	ELECTROLYTIC, 50V 2.2UF K 3A LI
C329	24567183	PLASTIC FILM, 50V 18000PF J
C331	24212102	CERAMIC DISC, 50V B 1000PF K
C332	24073020	ELECTROLYTIC CE04P 10V 1000UF M 3A
C333	24567103	PLASTIC FILM, 50V 0.01UF J
C334	24591102	PLASTIC FILM, 50V 1000PF J

Location No.	Parts No.	Description
C335	24503049	PLASTIC FILM, 63V 0.47UF J
C336	24503041	PLASTIC FILM , 63V 0.1UF J
C337	24212101	CERAMIC DISC, 50V B 100PF K
C338	24073020	ELECTROLYTIC CE04P 10V 1000UF M 3A
C339	24666101	ELECTROLYTIC, 16V 100UF M 3A
C341	24591222	PLASTIC FILM, 50V 2200PF J
C342	24591222	PLASTIC FILM, 50V 2200PF J
C343	24667101	ELECTROLYTIC, 25V 100UF M 3A
C344	24567393	PLASTIC FILM, 50V 39000PF J
C345	24503041	PLASTIC FILM , 63V 0.1UF J
C346	24669100	ELECTROLYTIC, 50V 10UF M 3A
C347	24085946	ELEC. NONPOLAR, 16V 10UF M 3A
C348	24503045	PLASTIC FILM, 63V 0.22UF J
C349	24503045	PLASTIC FILM, 63V 0.22UF J
C351	24503041	PLASTIC FILM , 63V 0.1UF J
C352	24669229	ELECTROLYTIC, 50V 2.2UF M 3A
C353	24669010	ELECTROLYTIC, 50V 1.0UF M 3A
C354	24567823	PLASTIC FILM, 50V 82000PF J
C355	24567563	PLASTIC FILM, 50V 56000PF J
C356	24665101	ELECTROLYTIC, 10V 100UF M 3A
C357	24073037	ELECTROLYTIC, 16V 47UF M 3A
C401	24214332	CERAMIC DISC, 500V B 3300PF K
C402	24214391	CERAMIC DISC, 500V B 390PF K
C403	24676220	ELECTROLYTIC, 100V 22UF M 3A
C405	24567124	PLASTIC FILM, 50V 0.12UF J
△ C407	24082608	PLASTIC FILM, 1800VH 4700PF H
△ C408	24820822	PLASTIC FILM, 630V 8200PF J
C410	24095900	PLASTIC FILM, 100V 3.3UF K
C411	24678220	ELECTROLYTIC, 200V 22UF M
C412	24828823	PLASTIC FILM CQ92 T 200V 82000PF J
C413	24214221	CERAMIC DISC, 500V B 220PF K
△ C414	24082647	PLASTIC FILM, 400V 0.27UF J
C415	24092484	CERAMIC DISC, 2KV B 1500PF K
C416	24095716	PLASTIC FILM, 250V 1.5UF K
△ C417	24082648	MT PLA CAP T 400V 304J
C418	24679330	ELECTROLYTIC, 250V 33UF M 3A
C420	24503041	PLASTIC FILM , 63V 0.1UF J
C421	24640908	ELECTROLYTIC, 160V 33UF M 3A LI
C422	24591102	PLASTIC FILM, 50V 1000PF J

Location No.	Parts No.	Description
C423	24211222	CERAMIC DISC, 2KV B 2200PFK
C424	24828473	PLASTIC FILM, 200V 47000PF J
C426	24591153	PLASTIC FILM, 50V 0.015MF J
C427	24567123	PLASTIC FILM, 50V 12000PF J
C428	24591102	PLASTIC FILM, 50V 1000PF J
C429	24567333	PLASTIC FILM, 50V 33000PF J
C431	24591102	PLASTIC FILM, 50V 1000PF J
△ C432	24820822	PLASTIC FILM, 630V 8200PF J
△ C433	24082594	PLASTIC FILM CF92 T 1800VH 1200PF H
C434	24073057	ELECTROLYTIC, 25V 1000UF M 3A
C435	24503041	PLASTIC FILM , 63V 0.1UF J
C436	24503041	PLASTIC FILM , 63V 0.1UF J
C437	24666331	ELECTROLYTIC, 16V 330UF M 3A
C438	24666101	ELECTROLYTIC, 16V 100UF M 3A
C439	24591223	PLASTIC FILM, 50V 0.022MF J
△ C441	24082608	PLASTIC FILM, 1800VH 4700PF H
C451	24567223	PLASTIC FILM, 50V 22000PF J
C452	24073038	ELECTROLYTIC, 16V 100UF M 3A
C453	24109223	CERAMIC CHIP, 25V B 22000PF K
C454	24797010	ELECTROLYTIC, 50V 1UF M
C455	24109103	CERAMIC CHIP, 50V B 10000PF K
C456	24085903	ELEC. NONPOLAR CE04R 50V 1.0UF M NP 3A
C457	24669010	ELECTROLYTIC, 50V 1.0UF M 3A
C458	24073038	ELECTROLYTIC, 16V 100UF M 3A
C459	24100104	CERAMIC CHIP, 25V F 100000PF Z
C460	24109103	CERAMIC CHIP, 50V B 10000PF K
C462	24105101	CERAMIC CHIP, 50V CH 100PF J
C463	24109103	CERAMIC CHIP, 50V B 10000PF K
C464	24109103	CERAMIC CHIP, 50V B 10000PF K
C465	24109103	CERAMIC CHIP, 50V B 10000PF K
C467	24085903	ELEC. NONPOLAR CE04R 50V 1.0UF M NP 3A
C469	24073034	ELECTROLYTIC CE04P 16V 10UF M 3A
C471	24503041	PLASTIC FILM , 63V 0.1UF J
C472	24436100	CERAMIC DISC, 50V SL 10PF C
C473	24503041	PLASTIC FILM , 63V 0.1UF J
C474	24501561	PLASTIC FILM, 50V 560 PF J
C475	24501272	PLASTIC FILM, 50V 2700 PF J
C476	24669479	ELECTROLYTIC, 50V 4.7UF M 3A
C477	24567103	PLASTIC FILM, 50V 0.01UF J
C478	24591822	PLASTIC FILM, 50V 8200PF J
C479	24669229	ELECTROLYTIC, 50V 2.2UF M 3A
C481	24669229	ELECTROLYTIC, 50V 2.2UF M 3A
C482	24501272	PLASTIC FILM, 50V 2700 PF J
C483	24501102	PLASTIC FILM, 50V 1000PF J
C484	24503041	PLASTIC FILM , 63V 0.1UF J
C485	24666331	ELECTROLYTIC, 16V 330UF M 3A
C486	24567103	PLASTIC FILM, 50V 0.01UF J
C487	24501151	CAPACITOR 50V 151J
C488	24503041	PLASTIC FILM , 63V 0.1UF J
C489	24666331	ELECTROLYTIC, 16V 330UF M 3A
C491	24591332	PLASTIC FILM, 50V 3300PF J
C493	24436220	CERAMIC DISC, 50V SL 22PF J
C496	24503049	PLASTIC FILM, 63V 0.47UF J
C497	24073039	ELECTROLYTIC CE04P 16V 220UF M 3A
C498	24073084	ELECTROLYTIC, 50V 4.7UF M 3A
C510	24666101	ELECTROLYTIC, 16V 100UF M 3A
C511	24109103	CERAMIC CHIP, 50V B 10000PF K
C513	24109103	CERAMIC CHIP, 50V B 10000PF K
C515	24666221	ELECTROLYTIC, 16V 220UF M 3A
C515	24666221	ELECTROLYTIC, 16V 220UF M 3A
C518	24666100	ELECTROLYTIC, 10V 10UF M 3A
C529	24109103	CERAMIC CHIP, 50V B 10000PF K
C530	24669010	ELECTROLYTIC, 50V 1.0UF M 3A

Location No.	Parts No.	Description
C531	24666101	ELECTROLYTIC, 16V 100UF M 3A
C532	24666100	ELECTROLYTIC, 10V 10UF M 3A
C536	24109103	CERAMIC CHIP, 50V B 10000PF K
C537	24109103	CERAMIC CHIP, 50V B 10000PF K
C547	24109103	CERAMIC CHIP, 50V B 10000PF K
C551	24100104	CERAMIC CHIP, 25V F 100000PF Z
C552	24100104	CERAMIC CHIP, 25V F 100000PF Z
C553	24100104	CERAMIC CHIP, 25V F 100000PF Z
C554	24100104	CERAMIC CHIP, 25V F 100000PF Z
C555	24100104	CERAMIC CHIP, 25V F 100000PF Z
C556	24100104	CERAMIC CHIP, 25V F 100000PF Z
C563	24206229	ELECTROLYTIC, 50V 2.2UF M 7L 3A
C564	24666100	ELECTROLYTIC, 10V 10UF M 3A
C565	24206478	ELECTROLYTIC, 50V 0.47UF M 7L 3A
C566	24206229	ELECTROLYTIC, 50V 2.2UF M 7L 3A
C568	24109103	CERAMIC CHIP, 50V B 10000PF K
C569	24000445	CHIP JUMPER, 1608TYPE
C570	24669010	ELECTROLYTIC, 50V 1.0UF M 3A
C571	24206478	ELECTROLYTIC, 50V 0.47UF M 7L 3A
C601	24109102	CERAMIC CHIP, 50V B 1000PF K
C602	24109102	CERAMIC CHIP, 50V B 1000PF K
C603	24669100	ELECTROLYTIC, 50V 10UF M 3A
C604	24669100	ELECTROLYTIC, 50V 10UF M 3A
C605	24667470	ELECTROLYTIC, 25V 47UF M 3A
C606	24667470	ELECTROLYTIC, 25V 47UF M 3A
C607	24503041	PLASTIC FILM , 63V 0.1UF J
C608	24503041	PLASTIC FILM , 63V 0.1UF J
C609	24669102	ELECTROLYTIC, 50V 1000UF M 3A
C610	24669102	ELECTROLYTIC, 50V 1000UF M 3A
C611	24667470	ELECTROLYTIC, 25V 47UF M 3A
C612	24666221	ELECTROLYTIC, 16V 220UF M 3A
C661	24206010	ELECTROLYTIC, 50V 1.0UF M 7L 3A
C662	24206010	ELECTROLYTIC, 50V 1.0UF M 7L 3A
C663	24206010	ELECTROLYTIC, 50V 1.0UF M 7L 3A
C664	24669220	ELECTROLYTIC, 50V 22UF M 3A
C665	24109103	CERAMIC CHIP, 50V B 10000PF K
C666	24206010	ELECTROLYTIC, 50V 1.0UF M 7L 3A
C667	24794100	ELECTROLYTIC, 16V 10UF M
C680	24669471	ELECTROLYTIC, 50V 470UF M 3A
C681	24666100	ELECTROLYTIC, 10V 10UF M 3A
C682	24092538	CERAMIC CHIP, 10V F 1UF Z
C683	24092538	CERAMIC CHIP, 10V F 1UF Z
C690	24109103	CERAMIC CHIP, 50V B 10000PF K
C704	24232103	CERAMIC DISC, 50V F 10000PF Z
C705	24206479	ELECTROLYTIC, 50V 4.7UF M 7L 3A
C707	24797470	ELECTROLYTIC, 50V 47UF M
C712	24797470	ELECTROLYTIC, 50V 47UF M
C713	24790470	ELECTROLYTIC, 160V 47UF M
C715	24214472	CERAMIC DISK CK45 B 500V 4700PF K
C717	24214472	CERAMIC DISK CK45 B 500V 4700PF K
C718	24666470	ELECTROLYTIC, 16V 47UF M 3A
C719	24435560	CERAMIC DISC, 500V SL 56PF J
C720	24790220	ELECTROLYTIC, 160V 22UF M
C721	24666470	ELECTROLYTIC, 16V 47UF M 3A
C726	24212102	CERAMIC DISC, 50V B 1000PF K
C760	24797470	ELECTROLYTIC, 50V 47UF M
C761	24212102	CERAMIC DISC, 50V B 1000PF K
C762	24797470	ELECTROLYTIC, 50V 47UF M
C765	24214472	CERAMIC DISK CK45 B 500V 4700PF K
C766	24214472	CERAMIC DISK CK45 B 500V 4700PF K
C767	24790470	ELECTROLYTIC, 160V 47UF M
C768	24666470	ELECTROLYTIC, 16V 47UF M 3A
C769	24666470	ELECTROLYTIC, 16V 47UF M 3A
C770	24435560	CERAMIC DISC, 500V SL 56PF J
C771	24790220	ELECTROLYTIC, 160V 22UF M

Location No.	Parts No.	Description
C780	24797470	ELECTROLYTIC, 50V 47UF M
C781	24212102	CERAMIC DISC, 50V B 1000PF K
C782	24797470	ELECTROLYTIC, 50V 47UF M
C784	24214472	CERAMIC DISK CK45 B 500V 4700PF K
C786	24214472	CERAMIC DISK CK45 B 500V 4700PF K
C787	24790470	ELECTROLYTIC, 160V 47UF M
C788	24666470	ELECTORLYTIC, 16V 47UF M 3A
C789	24666470	ELECTORLYTIC, 16V 47UF M 3A
C790	24435560	CERAMIC DISC, 500V SL 56PF J
C791	24790220	ELECTROLYTIC, 160V 22UF M
C792	24669229	ELECTROLYTIC, 50V 2.2UF M 3A
C801	24082001	PLASTIC FILM, AC125V 0.47UF
C809	24086067	ELECTROLYTIC 692Q 200V 1000UF M 3F
C810	24086067	ELECTROLYTIC 692Q 200V 1000UF M 3F
C811	24092597	CERAMIC DISC CK45E AC250V 4700PF M
C812	24092597	CERAMIC DISC CK45E AC250V 4700PF M
C813	24092597	CERAMIC DISC CK45E AC250V 4700PF M
C830	24073037	ELECTROLYTIC, 16V 47UF M 3A
C831	24503047	PLASTIC FILM, 63V 0.33UF J
C832	24073038	ELECTROLYTIC, 16V 100UF M 3A
C833	24503047	PLASTIC FILM, 63V 0.33UF J
C834	24073037	ELECTROLYTIC, 16V 47UF M 3A
C835	24503047	PLASTIC FILM, 63V 0.33UF J
C836	24073015	ELECTROLYTIC, 10V 47UF M 3A
C840	24073058	ELECTROLYTIC CE04P 25V 2200UF M 3A
C842	24073001	ELECTROLYTIC CE04P 6.3V 100UF M 3A
C851	24073073	ELECTROLYTIC, 35V 2200UF M 3A
C852	24073094	ELECTROLYTIC, 50V 1000UF M 3A
C853	24073057	ELECTROLYTIC, 25V 1000UF M 3A
C854	24073092	ELECTROLYTIC, 50V 330UF M 3A
C857	24073060	ELECTROLYTIC, 25V 4700UF M 3A
C858	24073060	ELECTROLYTIC, 25V 4700UF M 3A
C860	24214103	CERAMIC DISC, 500V B 10000PF K
C863	24503045	PLASTIC FILM, 63V 0.22UF J
C864	24092474	CERAMIC DISC, 2KV B 220PF K
C866	24503053	PLASTIC FILM, 63V 1UF J
C867	24591472	PLASTIC FILM, 50V 4700PF J
C868	24073067	ELECTROLYTIC CE04P 35V 47UF M 3A
C869	24678229	ELECTROLYTIC, 200V 2.2UF M 3A
C870	24082890	PLASTIC FILM, 800V 82000PF J
C871	24092484	CERAMIC DISC, 2KV B 1500PF K
C872	24092478	CERAMIC DISK, 2KV 470PF K
C873	24503045	PLASTIC FILM, 63V 0.22UF J
C874	24212102	CERAMIC DISC, 50V B 1000PF K
C876	24503049	PLASTIC FILM, 63V 0.47UF J
C881	24678478	ELECTROLYTIC, 200V 0.47UF M 3A
C882	24073035	ELECTROLYTIC CE04P 16V 22UF M 3A
C883	24082229	PLASTIC FILM, 250V 0.1UF D
C884	24086916	ELECTROLYTIC CE692R 160V 330UF M 3D
C890	24073095	ELECTROLYTIC, 50V 2200UF M 3A
C894	24073058	ELECTROLYTIC CE04P 25V 2200UF M 3A
C895	24073044	ELECTROLYTIC, 16V 3300UF M 3A
C898	24092398	CERAMIC DISC, 25V 0.1UF Z, 24092398A NI TOOITSU
C901	24211102	CERAMIC DISC, 2KV B 1000PF K
C902	24794101	ELECTROLYTIC, 16V 100UF M
C903	24232103	CERAMIC DISC, 50V F 10000PF Z
C904	24436561	CERAMIC DISC, 50V SL 560PF J
C907	24214101	CERAMIC DISC, 500V B 100PF K
C908	24436390	CERAMIC DISC, 50V SL 39PFJ
C909	24794221	ELECTROLYTIC, 16V 220UF M
C911	24211102	CERAMIC DISC, 2KV B 1000PF K
C912	24794101	ELECTROLYTIC, 16V 100UF M
C913	24232103	CERAMIC DISC, 50V F 10000PF Z
C914	24436681	CERAMIC DISC, 50V SL 680PF J

Location No.	Parts No.	Description
C915	24679330	ELECTROLYTIC, 250V 33UF M 3A
C916	24794102	ELECTROLYTIC, 16V 1000UF M
C917	24214101	CERAMIC DISC, 500V B 100PF K
C918	24503041	PLASTIC FILM , 63V 0.1UF J
C919	24794221	ELECTROLYTIC, 16V 220UF M
C921	24211102	CERAMIC DISC, 2KV B 1000PF K
C922	24794101	ELECTROLYTIC, 16V 100UF M
C923	24436681	CERAMIC DISC, 50V SL 680PF J
C924	24232103	CERAMIC DISC, 50V F 10000PF Z
C926	24214101	CERAMIC DISC, 500V B 100PF K
C927	24503041	PLASTIC FILM , 63V 0.1UF J
C928	24203100	ELECTORLYTIC, 16V 10UF M 7L 3A
C929	24794221	ELECTROLYTIC, 16V 220UF M
C961	24763102	ELECTROLYTIC, 16V 1000UF M
C962	24203100	ELECTORLYTIC, 16V 10UF M 7L 3A
C963	24503041	PLASTIC FILM , 63V 0.1UF J
C964	24503041	PLASTIC FILM , 63V 0.1UF J
C967	24436331	CERAMIC DISC, 50V SL 330PF J
C7702	24567334	PLASTIC FILM, 50V 0.33UF J
C7704	24667101	ELECTROLYTIC, 25V 100UF M 3A
C7706	24503047	PLASTIC FILM, 63V 0.33UF J
C7708	24105150	CERAMIC CHIP, 50V CH 15PF J
C7709	24105150	CERAMIC CHIP, 50V CH 15PF J
C7710	24105150	CERAMIC CHIP, 50V CH 15PF J
C7711	24105150	CERAMIC CHIP, 50V CH 15PF J
C7712	24105150	CERAMIC CHIP, 50V CH 15PF J
C7713	24105150	CERAMIC CHIP, 50V CH 15PF J
C7714	24105150	CERAMIC CHIP, 50V CH 15PF J
C7715	24105150	CERAMIC CHIP, 50V CH 15PF J
C7716	24105150	CERAMIC CHIP, 50V CH 15PF J
C7717	24105150	CERAMIC CHIP, 50V CH 15PF J
C7718	24105150	CERAMIC CHIP, 50V CH 15PF J
C7719	24105150	CERAMIC CHIP, 50V CH 15PF J
C7721	24105102	CERAMIC CHIP, 25V CH 1000PF J
C7722	24105331	CERAMIC CHIP, 50V CH 330PF J
C7724	24669101	ELECTROLYTIC, 50V 100UF M 3A
C7725	24669101	ELECTROLYTIC, 50V 100UF M 3A
C7726	24105101	CERAMIC CHIP, 50V CH 100PF J
C7727	24105331	CERAMIC CHIP, 50V CH 330PF J
C7729	24105102	CERAMIC CHIP, 25V CH 1000PF J
C7730	24105331	CERAMIC CHIP, 50V CH 330PF J
C7732	24105331	CERAMIC CHIP, 50V CH 330PF J
C7733	24105331	CERAMIC CHIP, 50V CH 330PF J
C7735	24669101	ELECTROLYTIC, 50V 100UF M 3A
C7736	24669101	ELECTROLYTIC, 50V 100UF M 3A
C7737	24105102	CERAMIC CHIP, 25V CH 1000PF J
C7738	24105331	CERAMIC CHIP, 50V CH 330PF J
C7740	24105331	CERAMIC CHIP, 50V CH 330PF J
C7741	24105331	CERAMIC CHIP, 50V CH 330PF J
C7755	24667101	ELECTROLYTIC, 25V 100UF M 3A (43H72)
C7757	24503047	PLASTIC FILM, 63V 0.33UF J (43H72)
C7766	24667221	ELECTROLYTIC, 25V 220UF M 3A
C7767	24667101	ELECTROLYTIC, 25V 100UF M 3A
C7768	24667101	ELECTROLYTIC, 25V 100UF M 3A
C7769	24109103	CERAMIC CHIP, 50V B 10000PF K
C7770	24667101	ELECTROLYTIC, 25V 100UF M 3A (43H72)
C7772	24567334	PLASTIC FILM, 50V 0.33UF J (43H72)
C7774	24105331	CERAMIC CHIP, 50V CH 330PF J
C7776	24669010	ELECTROLYTIC, 50V 1.0UF M 3A
C7779	24105331	CERAMIC CHIP, 50V CH 330PF J
C7780	24105471	CERAMIC CHIP, 50V CH 470PF J
C7783	24105471	CERAMIC CHIP, 50V CH 470PF J
C7791	24667471	ELECTROLYTIC, 25V 470UF M 3A
C7792	24109472	CERAMIC CHIP, 50V B 4700PF K
C7793	24503041	PLASTIC FILM , 63V 0.1UF J

Location No.	Parts No.	Description
C7794	24503041	PLASTIC FILM , 63V 0.1UF J
C7795	24109223	CERAMIC CHIP, 25V B 22000PF K
C7796	24669221	ELECTROLYTIC, 50V 220UF M 3A
C7797	24667471	ELECTROLYTIC, 25V 470UF M 3A
C7798	24669221	ELECTROLYTIC, 50V 220UF M 3A
C7810	24105471	CERAMIC CHIP, 50V CH 470PF J
C7811	24105471	CERAMIC CHIP, 50V CH 470PF J
C7812	24109103	CERAMIC CHIP, 50V B 10000PF K
C7815	24591223	PLASTIC FILM, 50V 0.022MF J
C7817	24109332	CERAMIC CHIP, 50V B 3300PF K
C7818	24109102	CERAMIC CHIP, 50V B 1000PF K
C7819	24109102	CERAMIC CHIP, 50V B 1000PF K
C7820	24109332	CERAMIC CHIP, 50V B 3300PF K
C7822	24503053	PLASTIC FILM, 63V 1UF J
C9100	24436331	CERAMIC DISC, 50V SL 330PF J
C9200	24436331	CERAMIC DISC, 50V SL 330PF J
CA04	24109103	CERAMIC CHIP, 50V B 10000PF K
CA05	24109103	CERAMIC CHIP, 50V B 10000PF K
CA06	24109392	CERAMIC CHIP, 50V B 3900PF K
CA07	24109392	CERAMIC CHIP, 50V B 3900PF K
CA08	24109103	CERAMIC CHIP, 50V B 10000PF K
CA14	24666100	ELECTROLYTIC, 10V 10UF M 3A
CA18	24666470	ELECTROLYTIC, 16V 47UF M 3A
CA23	24105101	CERAMIC CHIP, 50V CH 100PF J
CA25	24109103	CERAMIC CHIP, 50V B 10000PF K
CA27	24092538	CERAMIC CHIP, 10V F 1UF Z
CA28	24085970	ELECTROLYTIC, NONPOLAR, 16V 10UF M 7L
CA30	24085970	ELECTROLYTIC, NONPOLAR, 16V 10UF M 7L
CA31	24092538	CERAMIC CHIP, 10V F 1UF Z
CA33	24109103	CERAMIC CHIP, 50V B 10000PF K
CA34	24092538	CERAMIC CHIP, 10V F 1UF Z
CA37	24105101	CERAMIC CHIP, 50V CH 100PF J
CA38	24105101	CERAMIC CHIP, 50V CH 100PF J
CA39	24105101	CERAMIC CHIP, 50V CH 100PF J
CA42	24109392	CERAMIC CHIP, 50V B 3900PF K
CA45	24105471	CERAMIC CHIP, 50V CH 470PF J
CA46	24105101	CERAMIC CHIP, 50V CH 100PF J
CA49	24105101	CERAMIC CHIP, 50V CH 100PF J
CA54	24092730	CERAMIC CHIP, 16V B 0.1UF K
CA59	24105101	CERAMIC CHIP, 50V CH 100PF J
CA60	24105101	CERAMIC CHIP, 50V CH 100PF J
CA61	24666220	ELECTROLYTIC, 16V 22UF M 3A
CA68	24666100	ELECTROLYTIC, 10V 10UF M 3A
CA69	24109103	CERAMIC CHIP, 50V B 10000PF K
CA71	24105331	CERAMIC CHIP, 50V CH 330PF J
CA72	24085970	ELECTROLYTIC, NONPOLAR, 16V 10UF M 7L
CA73	24666100	ELECTROLYTIC, 10V 10UF M 3A
CA80	24503041	PLASTIC FILM , 63V 0.1UF J
CA81	24073015	ELECTROLYTIC, 10V 47UF M 3A
CA82	24503049	PLASTIC FILM, 63V 0.47UF J
CA251	24073015	ELECTROLYTIC, 10V 47UF M 3A
CA331	24073015	ELECTROLYTIC, 10V 47UF M 3A
CA541	24092743	CERAMIC CHIP, 10V F 470NF Z
CA611	24109103	CERAMIC CHIP, 50V B 10000PF K
CA701	24092538	CERAMIC CHIP, 10V F 1UF Z
CA705	24666100	ELECTROLYTIC, 10V 10UF M 3A
CB01	24794470	ELECTROLYTIC, 16V 47UF M
CB05	24666100	ELECTROLYTIC, 10V 10UF M 3A
CB13	24085970	ELECTROLYTIC, NONPOLAR, 16V 10UF M 7L
CB14	24105331	CERAMIC CHIP, 50V CH 330PF J
CB15	24794100	ELECTROLYTIC, 16V 10UF M

Location No.	Parts No.	Description
CB42	24232103	CERAMIC DISC, 50V F 10000PF Z
CB62	24105331	CERAMIC CHIP, 50V CH 330PF J
CB90	24109103	CERAMIC CHIP, 50V B 10000PF K
CB91	24666100	ELECTROLYTIC, 10V 10UF M 3A
CD01	24797479	ELECTROLYTIC, 50V 4.7UF M
CD02	24539104	PLASTIC FILM, 50V 0.1UF J
CD03	24590472	PLASTIC FILM, 50V 4700PF J
CD04	24797479	ELECTROLYTIC, 50V 4.7UF M
CD05	24797479	ELECTROLYTIC, 50V 4.7UF M
CD06	24797479	ELECTROLYTIC, 50V 4.7UF M
CD07	24797479	ELECTROLYTIC, 50V 4.7UF M
CD08	24797100	ELECTROLYTIC, 50V 10UF M
CD09	24797220	ELECTROLYTIC, 50V 22UF M
CD10	24797100	ELECTROLYTIC, 50V 10UF M
CD12	24539224	PLASTIC FILM, 50V 0.22UF J
CD13	24794470	ELECTROLYTIC, 16V 47UF M
CD14	24590472	PLASTIC FILM, 50V 4700PF J
CD15	24539104	PLASTIC FILM, 50V 0.1UF J
CD16	24232103	CERAMIC DISC, 50V F 10000PF Z
CD17	24797479	ELECTROLYTIC, 50V 4.7UF M
CD18	24763221	ELECTROLYTIC, 16V 220UF M
CD42	24797479	ELECTROLYTIC, 50V 4.7UF M
CD44	24797479	ELECTROLYTIC, 50V 4.7UF M
CD45	24503041	PLASTIC FILM , 63V 0.1UF J
CD46	24567103	PLASTIC FILM, 50V 0.01UF J
CD47	24797478	ELECTROLYTIC, 50V 0.47UF M
CD48	24590472	PLASTIC FILM, 50V 4700PF J
CD49	24797478	ELECTROLYTIC, 50V 0.47UF M
CD60	24503041	PLASTIC FILM , 63V 0.1UF J
CD61	24763221	ELECTROLYTIC, 16V 220UF M
CD62	24232103	CERAMIC DISC, 50V F 10000PF Z
CD63	24762102	ELECTROLYTIC, 10V 1000UF M
CD64	24797479	ELECTROLYTIC, 50V 4.7UF M
CD65	24797100	ELECTROLYTIC, 50V 10UF M
CD66	24797100	ELECTROLYTIC, 50V 10UF M
CD70	24797100	ELECTROLYTIC, 50V 10UF M
CD103	24797100	ELECTROLYTIC, 50V 10UF M
CD104	24590102	PLASTIC FILM, 50V 1000PF J
CD105	24539124	PLASTIC FILM, 50V 0.12UF J
CD106	24539104	PLASTIC FILM, 50V 0.1UF J
CD107	24567823	PLASTIC FILM, 50V 82000PF J
CD108	24797010	ELECTROLYTIC, 50V 1UF M
CD109	24797100	ELECTROLYTIC, 50V 10UF M
CD110	24590103	PLASTIC FILM, 50V 0.01MF J
CD111	24797100	ELECTROLYTIC, 50V 10UF M
CD113	24797010	ELECTROLYTIC, 50V 1UF M
CD114	24797010	ELECTROLYTIC, 50V 1UF M
CD115	24797010	ELECTROLYTIC, 50V 1UF M
CD116	24590103	PLASTIC FILM, 50V 0.01MF J
CD117	24590103	PLASTIC FILM, 50V 0.01MF J
CD118	24567273	PLASTIC FILM, 50V 0.027UF J
CD119	24232103	CERAMIC DISC, 50V F 10000PF Z
CD120	24763221	ELECTROLYTIC, 16V 220UF M
CD121	24590822	PLASTIC FILM, 50V 8200PF J
CD123	24797100	ELECTROLYTIC, 50V 10UF M
CD124	24797010	ELECTROLYTIC, 50V 1UF M
CD125	24567273	PLASTIC FILM, 50V 0.027UF J
CD126	24590822	PLASTIC FILM, 50V 8200PF J
CD128	24797100	ELECTROLYTIC, 50V 10UF M
CD129	24797100	ELECTROLYTIC, 50V 10UF M
CD131	24797100	ELECTROLYTIC, 50V 10UF M
CH001	24100104	CERAMIC CHIP, 25V F 100000PF Z
CH004	24100104	CERAMIC CHIP, 25V F 100000PF Z
CH005	24100104	CERAMIC CHIP, 25V F 100000PF Z
CH006	24100104	CERAMIC CHIP, 25V F 100000PF Z

Location No.	Parts No.	Description
CH007	24100104	CERAMIC CHIP, 25V F 100000PF Z
CH008	24100104	CERAMIC CHIP, 25V F 100000PF Z
CH009	24100104	CERAMIC CHIP, 25V F 100000PF Z
CH010	24092743	CERAMIC CHIP, 10V F 470NF Z
CH011	24762221	ELECTROLYTIC, 10V 220UF M
CH012	24763101	ELECTROLYTIC, 16V 100UF M
CH013	24763101	ELECTROLYTIC, 16V 100UF M
CH014	24108101	CERAMIC CHIP, 50V SL 100PF J
CH015	24108330	CERAMIC CHIP, 50V SL 33PF J
CH016	24108330	CERAMIC CHIP, 50V SL 33PF J
CH017	24108330	CERAMIC CHIP, 50V SL 33PF J
CH018	24108330	CERAMIC CHIP, 50V SL 33PF J
CH019	24108330	CERAMIC CHIP, 50V SL 33PF J
CH020	24108330	CERAMIC CHIP, 50V SL 33PF J
CH040	24100104	CERAMIC CHIP, 25V F 100000PF Z
CH041	24108101	CERAMIC CHIP, 50V SL 100PF J
CH042	24108101	CERAMIC CHIP, 50V SL 100PF J
CH043	24108101	CERAMIC CHIP, 50V SL 100PF J
CH044	24108101	CERAMIC CHIP, 50V SL 100PF J
CH051	24100104	CERAMIC CHIP, 25V F 100000PF Z
CH052	24100104	CERAMIC CHIP, 25V F 100000PF Z
CH053	24105070	CERAMIC CHIP CC73CH 50V 7PF D
CH061	24109103	CERAMIC CHIP, 50V B 10000PF K
CH062	24092730	CERAMIC CHIP, 16V B 0.1UF K
CH063	24100104	CERAMIC CHIP, 25V F 100000PF Z
CH101	24105070	CERAMIC CHIP CC73CH 50V 7PF D
CH102	24105070	CERAMIC CHIP CC73CH 50V 7PF D
CH241	24100104	CERAMIC CHIP, 25V F 100000PF Z
CH244	24100104	CERAMIC CHIP, 25V F 100000PF Z
CH247	24100104	CERAMIC CHIP, 25V F 100000PF Z
CH249	24092730	CERAMIC CHIP, 16V B 0.1UF K
CH250	24092730	CERAMIC CHIP, 16V B 0.1UF K
CH301	24109472	CERAMIC CHIP, 50V B 4700PF K (43H72)
CH302	24100104	CERAMIC CHIP, 25V F 100000PF Z (43H72)
CH303	24100104	CERAMIC CHIP, 25V F 100000PF Z (43H72)
CH304	24109472	CERAMIC CHIP, 50V B 4700PF K (43H72)
CH305	24567104	PLASTIC FILM, 50V 0.1UF J (43H72)
CH306	24567104	PLASTIC FILM, 50V 0.1UF J (43H72)
CH307	24109472	CERAMIC CHIP, 50V B 4700PF K (43H72)
CH308	24100104	CERAMIC CHIP, 25V F 100000PF Z (43H72)
CH309	24100104	CERAMIC CHIP, 25V F 100000PF Z (43H72)
CH310	24109472	CERAMIC CHIP, 50V B 4700PF K (43H72)
CH311	24567104	PLASTIC FILM, 50V 0.1UF J (43H72)
CH312	24567104	PLASTIC FILM, 50V 0.1UF J (43H72)
CH313	24100104	CERAMIC CHIP, 25V F 100000PF Z (43H72)
CH314	24100104	CERAMIC CHIP, 25V F 100000PF Z (43H72)
CH315	24567104	PLASTIC FILM, 50V 0.1UF J
CH316	24567104	PLASTIC FILM, 50V 0.1UF J
CH317	24100104	CERAMIC CHIP, 25V F 100000PF Z
CH318	24567104	PLASTIC FILM, 50V 0.1UF J
CH319	24567104	PLASTIC FILM, 50V 0.1UF J
CH320	24100104	CERAMIC CHIP, 25V F 100000PF Z
CH321	24763101	ELECTROLYTIC, 16V 100UF M
CH322	24763101	ELECTROLYTIC, 16V 100UF M
CH401	24105220	CERAMIC CHIP, 50V CH 22PF J
CH402	24105220	CERAMIC CHIP, 50V CH 22PF J
CH403	24100103	CERAMIC CHIP, 50V F 10000PF Z
CH404	24100103	CERAMIC CHIP, 50V F 10000PF Z
CH407	24100103	CERAMIC CHIP, 50V F 10000PF Z
CH408	24794100	ELECTROLYTIC, 16V 10UF M
CH409	24100103	CERAMIC CHIP, 50V F 10000PF Z
CH413	24100104	CERAMIC CHIP, 25V F 100000PF Z
CH414	24100104	CERAMIC CHIP, 25V F 100000PF Z
CH501	24794470	ELECTORLYTIC, 16V 47UF M
CH502	24794470	ELECTORLYTIC, 16V 47UF M

Location No.	Parts No.	Description
CH503	24794470	ELECTORLYTIC, 16V 47UF M
CH504	24794470	ELECTORLYTIC, 16V 47UF M
CH505	24794470	ELECTORLYTIC, 16V 47UF M
CH506	24794470	ELECTORLYTIC, 16V 47UF M
CH511	24100104	CERAMIC CHIP, 25V F 100000PF Z
CH512	24100104	CERAMIC CHIP, 25V F 100000PF Z
CH513	24100104	CERAMIC CHIP, 25V F 100000PF Z
CH514	24100104	CERAMIC CHIP, 25V F 100000PF Z
CH515	24100104	CERAMIC CHIP, 25V F 100000PF Z
CH516	24100104	CERAMIC CHIP, 25V F 100000PF Z
CH517	24100104	CERAMIC CHIP, 25V F 100000PF Z
CH518	24100104	CERAMIC CHIP, 25V F 100000PF Z
CH521	24105100	CERAMIC CHIP, 50V CH 10PF D
CH522	24590222	PLASTIC FILM, 50V 2200PF J
CH523	24100103	CERAMIC CHIP, 50V F 10000PF Z
CH524	24105821	CERAMIC CHIP CC73CH 25V 820PF J
CH526	24105050	CERAMIC CHIP, 50V CH 5PF C
CH527	24105181	CERAMIC CHIP, 50V CH 180PF J
CH541	24105100	CERAMIC CHIP, 50V CH 10PF D
CH542	24590222	PLASTIC FILM, 50V 2200PF J
CH543	24100103	CERAMIC CHIP, 50V F 10000PF Z
CH544	24105821	CERAMIC CHIP CC73CH 25V 820PF J
CH546	24105050	CERAMIC CHIP, 50V CH 5PF C
CH547	24105181	CERAMIC CHIP, 50V CH 180PF J
CH561	24105100	CERAMIC CHIP, 50V CH 10PF D
CH562	24590222	PLASTIC FILM, 50V 2200PF J
CH563	24100103	CERAMIC CHIP, 50V F 10000PF Z
CH564	24105821	CERAMIC CHIP CC73CH 25V 820PF J
CH566	24105050	CERAMIC CHIP, 50V CH 5PF C
CH567	24105181	CERAMIC CHIP, 50V CH 180PF J
CH621	24105100	CERAMIC CHIP, 50V CH 10PF D
CH622	24590222	PLASTIC FILM, 50V 2200PF J
CH623	24100103	CERAMIC CHIP, 50V F 10000PF Z
CH624	24105821	CERAMIC CHIP CC73CH 25V 820PF J
CH626	24105050	CERAMIC CHIP, 50V CH 5PF C
CH627	24105181	CERAMIC CHIP, 50V CH 180PF J
CH641	24105100	CERAMIC CHIP, 50V CH 10PF D
CH642	24590222	PLASTIC FILM, 50V 2200PF J
CH643	24100103	CERAMIC CHIP, 50V F 10000PF Z
CH644	24105821	CERAMIC CHIP CC73CH 25V 820PF J
CH646	24105050	CERAMIC CHIP, 50V CH 5PF C
CH647	24105181	CERAMIC CHIP, 50V CH 180PF J
CH661	24105100	CERAMIC CHIP, 50V CH 10PF D
CH662	24590222	PLASTIC FILM, 50V 2200PF J
CH663	24100103	CERAMIC CHIP, 50V F 10000PF Z
CH664	24105821	CERAMIC CHIP CC73CH 25V 820PF J
CH666	24105050	CERAMIC CHIP, 50V CH 5PF C
CH667	24105181	CERAMIC CHIP, 50V CH 180PF J
CH707	24794470	ELECTORLYTIC, 16V 47UF M
CR12	24092730	CERAMIC CHIP, 16V B 0.1UF K
CR13	24092730	CERAMIC CHIP, 16V B 0.1UF K
CR14	24092730	CERAMIC CHIP, 16V B 0.1UF K
CR15	24092730	CERAMIC CHIP, 16V B 0.1UF K
CR16	24092730	CERAMIC CHIP, 16V B 0.1UF K
CR17	24092730	CERAMIC CHIP, 16V B 0.1UF K
CS03	24436221	CERAMIC DISC, 50V SL 220PF J
CS04	24206010	ELECTROLYTIC, 50V 1.0UF M 7L 3A
CS07	24436221	CERAMIC DISC, 50V SL 220PF J
CS08	24206010	ELECTROLYTIC, 50V 1.0UF M 7L 3A
CS09	24436331	CERAMIC DISC, 50V SL 330PF J
CS10	24206229	ELECTROLYTIC, 50V 2.2UF M 7L 3A
CS11	24206010	ELECTROLYTIC, 50V 1.0UF M 7L 3A
CS12	24436221	CERAMIC DISC, 50V SL 220PF J
CS13	24206010	ELECTROLYTIC, 50V 1.0UF M 7L 3A
CS14	24436221	CERAMIC DISC, 50V SL 220PF J

Location No.	Parts No.	Description
CS15	24436331	CERAMIC DISC, 50V SL 330PF J
CS16	24206229	ELECTROLYTIC, 50V 2.2UF M 7L 3A
CS21	24436101	CERAMIC DISC CC45 SL 50V100PF J
CS22	24436101	CERAMIC DISC CC45 SL 50V100PF J
CS24	24436331	CERAMIC DISC, 50V SL 330PF J
CS25	24206229	ELECTROLYTIC, 50V 2.2UF M 7L 3A
CS28	24436331	CERAMIC DISC, 50V SL 330PF J
CS29	24436331	CERAMIC DISC, 50V SL 330PF J
CS32	24203100	ELECTROLYTIC, 16V 10UF M 7L 3A
CS33	24203100	ELECTROLYTIC, 16V 10UF M 7L 3A
CS34	24436331	CERAMIC DISC, 50V SL 330PF J
CS35	24206229	ELECTROLYTIC, 50V 2.2UF M 7L 3A
CS36	24206229	ELECTROLYTIC, 50V 2.2UF M 7L 3A
CS38	24206229	ELECTROLYTIC, 50V 2.2UF M 7L 3A
CS43	24203100	ELECTROLYTIC, 16V 10UF M 7L 3A
CS45	24203100	ELECTROLYTIC, 16V 10UF M 7L 3A
CS51	24206229	ELECTROLYTIC, 50V 2.2UF M 7L 3A
CS52	24206229	ELECTROLYTIC, 50V 2.2UF M 7L 3A
CS53	24206229	ELECTROLYTIC, 50V 2.2UF M 7L 3A
CS54	24206229	ELECTROLYTIC, 50V 2.2UF M 7L 3A
CS55	24436331	CERAMIC DISC, 50V SL 330PF J
CS56	24436331	CERAMIC DISC, 50V SL 330PF J
CS57	24436331	CERAMIC DISC, 50V SL 330PF J
CS58	24436331	CERAMIC DISC, 50V SL 330PF J
CS60	24503041	PLASTIC FILM , 63V 0.1UF J
CS122	24797101	ELECTROLYTIC, 50V 100UF M
CS123	24797470	ELECTROLYTIC, 50V 47UF M
CS124	24797229	ELECTROLYTIC, 50V 2.2UF M
CS125	24590103	PLASTIC FILM, 50V 0.01MF J
CS652	24666220	ELECTROLYTIC, 16V 22UF M 3A
CS676	24109103	CERAMIC CHIP, 50V B 10000PF K
CV01	24085981	ELEC. NONPOLAR CE04J 16V 10UF M 11L NP
CV02	24232103	CERAMIC DISC, 50V F 10000PF Z
CV03	24085981	ELEC. NONPOLAR CE04J 16V 10UF M 11L NP
CV04	24203100	ELECTROLYTIC, 16V 10UF M 7L 3A
CV05	24203100	ELECTROLYTIC, 16V 10UF M 7L 3A
CV08	24666102	ELECTROLYTIC, 16V 100UF M 3A
CV10	24203100	ELECTROLYTIC, 16V 10UF M 7L 3A
CV13	24794100	ELECTROLYTIC, 16V 10UF M
CV14	24232103	CERAMIC DISC, 50V F 10000PF Z
CV15	24232103	CERAMIC DISC, 50V F 10000PF Z
CV17	24203100	ELECTROLYTIC, 16V 10UF M 7L 3A
CV21	24203100	ELECTROLYTIC, 16V 10UF M 7L 3A
CV22	24203100	ELECTROLYTIC, 16V 10UF M 7L 3A
CV23	24232103	CERAMIC DISC, 50V F 10000PF Z
CV24	24212102	CERAMIC DISC, 50V B 1000PF K
CV27	24762471	ELECTROLYTIC, 10V 470UF M
CV29	24763101	ELECTROLYTIC, 16V 100UF M
CV30	24232103	CERAMIC DISC, 50V F 10000PF Z
CV37	24797339	ELECTROLYTIC CE04G 50V 3.3UF M
CV38	24203101	ELECTROLYTIC, 16V 100UF M 7L 3A
CV39	24212102	CERAMIC DISC, 50V B 1000PF K
CV46	24232103	CERAMIC DISC, 50V F 10000PF Z
CV60	24203470	ELECTROLYTIC, 16V 47UF M 7L 3A
CV61	24203470	ELECTROLYTIC, 16V 47UF M 7L 3A
CV62	24232103	CERAMIC DISC, 50V F 10000PF Z
CV63	24109103	CERAMIC CHIP, 50V B 10000PF K
CV64	24206100	ELECTROLYTIC, 50V 10UF M 7L 3A
CV65	24591122	PLASTIC FILM, 50V 1200PF J
CV66	24436561	CERAMIC DISC, 50V SL 560PF J
CV67	24591102	PLASTIC FILM, 50V 1000PF J
CV68	24206010	ELECTROLYTIC, 50V 1.0UF M 7L 3A
CV77	24763222	ELECTROLYTIC CE04G 16V 2200UF M

Location No.	Parts No.	Description
CV78	24109103	CERAMIC CHIP, 50V B 10000PF K
CV100	24206229	ELECTROLYTIC, 50V 2.2UF M 7L 3A
CV135	24203470	ELECTROLYTIC, 16V 47UF M 7L 3A
CV136	24203470	ELECTROLYTIC, 16V 47UF M 7L 3A
CV137	24203470	ELECTROLYTIC, 16V 47UF M 7L 3A
CV138	24203470	ELECTROLYTIC, 16V 47UF M 7L 3A
CW09	24109103	CERAMIC CHIP, 50V B 10000PF K
CY40	24206100	ELECTROLYTIC, 50V 10UF M 7L 3A
<b>RESISTORS</b>		
R101	24383183	OXIDE METAL FILM, 2W 18K OHM J
R150	24366101	CARBON FILM, 1/6W 100 OHM J
R151	24366562	CARBON FILM, 1/6W 5.6K OHM J
R152	24366103	CARBON FILM, 1/6W 10K OHM J
R171	24011103	CHIP, METAL FILM, 1/20W 10K OHM J
R172	24011273	CHIP, METAL FILM, 1/20W 27K OHM J
R173	24011103	CHIP, METAL FILM, 1/20W 10K OHM J
R174	24011273	CHIP, METAL FILM, 1/20W 27K OHM J
R205	24011101	CHIP, METAL FILM, 1/20W 100 OHM J
R206	24011102	CHIP, METAL FILM, 1/20W 1K OHM J
R241	24367103	CARBON FILM, 1/6W 10K OHM G
R242	24367123	CARBON FILM, 1/6W 12K OHM G
R243	24367273	CARBON FILM, 1/6W 27K OHM G
R244	24367273	CARBON FILM, 1/6W 27K OHM G
R245	24366563	CARBON FILM, 1/6W 56K OHM J
R246	24366563	CARBON FILM, 1/6W 56K OHM J
R247	24366474	CARBON FILM, 1/6W 470K OHM J
R248	24366563	CARBON FILM, 1/6W 56K OHM J
R249	24366472	CARBON FILM, 1/6W 4.7K OHM J
R250	24366472	CARBON FILM, 1/6W 4.7K OHM J
R251	24366472	CARBON FILM, 1/6W 4.7K OHM J
R252	24366472	CARBON FILM, 1/6W 4.7K OHM J
R301	24011472	CHIP, METAL FILM, 1/20W 4.7K OHM J
R302	24011102	CHIP, METAL FILM, 1/20W 1K OHM J
R303	24011102	CHIP, METAL FILM, 1/20W 1K OHM J
R304	24011102	CHIP, METAL FILM, 1/20W 1K OHM J
R305	24321129	OXIDE METAL FILM, 1/2W 1.2 OHM J
R306	24382151	OXIDE METAL FILM, 1W 150 OHM J
R307	24322828	OXIDE METAL FILM, 1W 0.82 OHM J
R308	24382391	OXIDE METAL FILM, 1W 390 OHM J
R309	24011471	CHIP, METAL FILM, 1/20W 470 OHM J
R310	24011472	CHIP, METAL FILM, 1/20W 4.7K OHM J
R311	24011471	CHIP, METAL FILM, 1/20W 470 OHM J
R312	24011103	CHIP, METAL FILM, 1/20W 10K OHM J
R313	24011472	CHIP, METAL FILM, 1/20W 4.7K OHM J
R314	24011103	CHIP, METAL FILM, 1/20W 10K OHM J
R315	24011103	CHIP, METAL FILM, 1/20W 10K OHM J
R316	24011103	CHIP, METAL FILM, 1/20W 10K OHM J
R317	24011472	CHIP, METAL FILM, 1/20W 4.7K OHM J
R318	24011472	CHIP, METAL FILM, 1/20W 4.7K OHM J
R319	24011472	CHIP, METAL FILM, 1/20W 4.7K OHM J
R320	24011102	CHIP, METAL FILM, 1/20W 1K OHM J
R321	24366103	CARBON FILM, 1/6W 10K OHM J
R322	24366101	CARBON FILM, 1/6W 100 OHM J
R323	24366103	CARBON FILM, 1/6W 10K OHM J
R324	24366183	CARBON FILM, 1/6W 18K OHM J
R325	24366113	CARBON FILM, 1/6W 11K OHM J
R326	24366471	CARBON FILM, 1/6W 470 OHM J
R327	24366471	CARBON FILM, 1/6W 470 OHM J
R328	24366562	CARBON FILM, 1/6W 5.6K OHM J
R329	24366103	CARBON FILM, 1/6W 10K OHM J
R331	24366473	CARBON FILM, 1/6W 47K OHM J
R332	24366821	CARBON FILM, 1/6W 820 OHM J
R333	24366102	CARBON FILM, 1/6W 1K OHM J
R334	24366153	CARBON FILM, 1/6W 15K OHM J

Location No.	Parts No.	Description
R335	24000245	METAL FILM, 1/4W 33K OHM F
R336	24000368	METAL FILM, 1/4W 2.7K OHM F
R337	24000203	METAL FILM, 1/4W 27K F
R338	24366103	CARBON FILM, 1/6W 10K OHM J
R339	24366472	CARBON FILM, 1/6W 4.7K OHM J
R341	24366472	CARBON FILM, 1/6W 4.7K OHM J
R342	24000633	METAL FILM, 1/4W 10K OHM F
R342	24366103	CARBON FILM, 1/6W 10K OHM J
R343	24366103	CARBON FILM, 1/6W 10K OHM J
R344	24366123	CARBON FILM, 1/6W 12K OHM J
R345	24000633	METAL FILM, 1/4W 10K OHM F
R345	24366103	CARBON FILM, 1/6W 10K OHM J
R346	24019119	METAL FILM, 1/6W 30K OHM J
R347	24019119	METAL FILM, 1/6W 30K OHM J
R348	24000525	METAL FILM, 1/4W 4.7K OHM F
R349	24366103	CARBON FILM, 1/6W 10K OHM J
R351	24366153	CARBON FILM, 1/6W 15K OHM J
R352	24366563	CARBON FILM, 1/6W 56K OHM J
R353	24366824	CARBON FILM, 1/6W 820K OHM J
R354	24366273	CARBON FILM, 1/6W 27K OHM J
R355	24366822	CARBON FILM, 1/6W 8.2K OHM J
R356	24366102	CARBON FILM, 1/6W 1K OHM J
R357	24366100	CARBON FILM, 1/6W 10 OHM J
R358	24366103	CARBON FILM, 1/6W 10K OHM J
R359	24366392	CARBON FILM, 1/6W 3.9K OHM J
R361	24366123	CARBON FILM, 1/6W 12K OHM J
R362	24366103	CARBON FILM, 1/6W 10K OHM J
R363	24366103	CARBON FILM, 1/6W 10K OHM J
R365	24366682	CARBON FILM, 1/6W 6.8K OHM J
R366	24366103	CARBON FILM, 1/6W 10K OHM J
R367	24366103	CARBON FILM, 1/6W 10K OHM J
R368	24366102	CARBON FILM, 1/6W 1K OHM J
R369	24366103	CARBON FILM, 1/6W 10K OHM J
R371	24366823	CARBON FILM, 1/6W 82K OHM J
R372	24366332	CARBON FILM, 1/6W 3.3K OHM J
R373	24366823	CARBON FILM, 1/6W 82K OHM J
R374	24366104	CARBON FILM, 1/6W 100K OHM J
R375	24366153	CARBON FILM, 1/6W 15K OHM J
R376	24366333	CARBON FILM, 1/6W 33K OHM J
R377	24366103	CARBON FILM, 1/6W 10K OHM J
R378	24366682	CARBON FILM, 1/6W 6.8K OHM J
R379	24366103	CARBON FILM, 1/6W 10K OHM J
R381	24366102	CARBON FILM, 1/6W 1K OHM J
R382	24366102	CARBON FILM, 1/6W 10K OHM J
R383	24366223	CARBON FILM, 1/6W 2.2K OHM J
R384	24019090	METAL FILM, 1/4W 330K OHM F
R385	24000633	METAL FILM, 1/4W 10K OHM F
R386	24000639	METAL FILM, 1/4W 22K OHM F
△ R388	24000141	METAL FILM, 1/4W 220 F
R403	24553101	OXIDE METAL FILM, 1W 100 OHM J
R404	24383101	OXIDE METAL FILM, 2W 100 OHM J
R406	24382222	OXIDE METAL FILM, 1W 2.2K OHM J
R407	24381100	OXIDE METAL FILM, 1/2W 10 OHM J
R408	24366101	CARBON FILM, 1/6W 100 OHM J
R409	24555220	OXIDE METAL FILM, 3W 22 OHM J
R410	24555220	OXIDE METAL FILM, 3W 22 OHM J
R411	24323479	METAL FILM, 2W 4.7 OHM J
R412	24366101	CARBON FILM, 1/6W 100 OHM J
R413	24366272	CARBON FILM, 1/6W 2.7K OHM J
R414	24366101	CARBON FILM, 1/6W 100 OHM J
R415	24533331	FUSIBLE, 2W 330 OHM J
R416	24383680	OXIDE METAL FILM, 2W 68 OHM J (43H72)
R417	24366101	CARBON FILM, 1/6W 100 OHM J
R418	24366332	CARBON FILM, 1/6W 3.3K OHM J
R419	24942102	CARBON COMPOSITION, 1/2W 1K OHM J

Location No.	Parts No.	Description
R420	24382473	OXIDE METAL FILM, 1W 47K OHM J
R421	24377224	CARBON FILM, 1W 220K OHM J
R422	24376104	CARBON FILM, 1/2W 100K OHM J
R423	24376104	CARBON FILM, 1/2W 100K OHM J
R424	24322398	OXIDE METAL FILM, 1W 0.39 OHM J
R425	24366101	CARBON FILM, 1/6W 100 OHM J
R427	24942102	CARBON COMPOSITION, 1/2W 1K OHM J
R428	24310109	OXIDE METAL FILM, 1/2W 1 OHM J
R430	24383153	OXIDE METAL FILM, 2W 15K OHM J
R431	24383102	OXIDE METAL FILM, 2W 1K OHM J
R432	24376274	CARBON FILM, 1/2W 270K OHM J
R433	24376274	CARBON FILM, 1/2W 270K OHM J
R434	24376274	CARBON FILM, 1/2W 270K OHM J
R435	24366101	CARBON FILM, 1/6W 100 OHM J
R436	24382561	OXIDE METAL FILM, 1W 560 OHM J
R437	24382561	OXIDE METAL FILM, 1W 560 OHM J
R438	24382561	OXIDE METAL FILM, 1W 560 OHM J
R439	24366103	CARBON FILM, 1/6W 10K OHM J
R440	24366103	CARBON FILM, 1/6W 10K OHM J
R441	24366474	CARBON FILM, 1/6W 470K OHM J
R442	24366103	CARBON FILM, 1/6W 10K OHM J
R443	24366562	CARBON FILM, 1/6W 5.6K OHM J
R444	24366562	CARBON FILM, 1/6W 5.6K OHM J
R445	24366472	CARBON FILM, 1/6W 4.7K OHM J
R446	24366103	CARBON FILM, 1/6W 10K OHM J
R447	24366152	CARBON FILM, 1/6W 1.5K OHM J
R448	24366333	CARBON FILM, 1/6W 33K OHM J
R449	24366223	CARBON FILM, 1/6W 22K OHM J
R451	24366103	CARBON FILM, 1/6W 10K OHM J
R452	24366103	CARBON FILM, 1/6W 10K OHM J
R453	24366472	CARBON FILM, 1/6W 4.7K OHM J
R454	24366562	CARBON FILM, 1/6W 5.6K OHM J
R455	24019259	FUSIBLE, 1/4W 27 OHM G
R456	24366224	CARBON FILM, 1/6W 220K OHM J
R457	24366223	CARBON FILM, 1/6W 22K OHM J
R459	24366392	CARBON FILM, 1/6W 3.9K OHM J
R461	24366103	CARBON FILM, 1/6W 10K OHM J
R462	24366222	CARBON FILM, 1/6W 2.2K OHM J
R463	24366103	CARBON FILM, 1/6W 10K OHM J
R464	24366332	CARBON FILM, 1/6W 3.3K OHM J
R465	24366474	CARBON FILM, 1/6W 470K OHM J
R466	24552331	OXIDE METAL FILM, 1/2W 330 OHM J
R467	24366472	CARBON FILM, 1/6W 4.7K OHM J
R481	24322568	OXIDE METAL FILM, 1W 0.56 OHM J
R482	24552271	OXIDE METAL FILM, 1/2W 270 OHM J
R483	24552151	OXIDE METAL FILM, 1/2W 150 OHM J
R484	24366102	CARBON FILM, 1/6W 1K OHM J
R485	24000141	METAL FILM, 1/4W 220 F
△ R486	24000360	METAL FILM, 1/4W 1.2K OHM F
△ R487	24000147	METAL FILM, 1/4W 470 OHM F
R488	24366103	CARBON FILM, 1/6W 10K OHM J
R489	24366100	CARBON FILM, 1/6W 10 OHM J
R505	24011101	CHIP, METAL FILM, 1/20W 100 OHM J
R520	24011101	CHIP, METAL FILM, 1/20W 100 OHM J
R521	24011101	CHIP, METAL FILM, 1/20W 100 OHM J
R522	24011102	CHIP, METAL FILM, 1/20W 1K OHM J
R523	24011101	CHIP, METAL FILM, 1/20W 100 OHM J
R524	24011102	CHIP, METAL FILM, 1/20W 1K OHM J
R525	24011101	CHIP, METAL FILM, 1/20W 100 OHM J
R526	24011102	CHIP, METAL FILM, 1/20W 1K OHM J
R527	24011101	CHIP, METAL FILM, 1/20W 100 OHM J
R530	24011101	CHIP, METAL FILM, 1/20W 100 OHM J
R531	24011101	CHIP, METAL FILM, 1/20W 100 OHM J
R532	24011101	CHIP, METAL FILM, 1/20W 100 OHM J
R533	24552471	OXIDE METAL FILM, 1/2W 470 OHM J

Location No.	Parts No.	Description
R534	24552471	OXIDE METAL FILM, 1/2W 470 OHM J
R535	24552471	OXIDE METAL FILM, 1/2W 470 OHM J
R536	24011272	CHIP, METAL FILM, 1/20W 2.7K OHM J
R537	24011472	CHIP, METAL FILM, 1/20W 4.7K OHM J
R538	24011103	CHIP, METAL FILM, 1/20W 10K OHM J
R539	24552221	OXIDE METAL FILM, 1/2W 220 OHM J
R540	24011103	CHIP, METAL FILM, 1/20W 10K OHM J
R563	24011560	CHIP, METAL FILM, 1/20W 56 OHM J
R564	24011560	CHIP, METAL FILM, 1/20W 56 OHM J
R565	24011560	CHIP, METAL FILM, 1/20W 56 OHM J
R601	24011332	CHIP, METAL FILM, 1/20W 3.3K OHM J
R602	24011332	CHIP, METAL FILM, 1/20W 3.3K OHM J
R603	24011122	CHIP, METAL FILM, 1/20W 1.2K OHM J
R604	24011122	CHIP, METAL FILM, 1/20W 1.2K OHM J
R609	24366229	CARBON FILM, 1/6W 2.2 OHM J
R610	24366229	CARBON FILM, 1/6W 2.2 OHM J
R611	24011332	CHIP, METAL FILM, 1/20W 3.3K OHM J (43H72)
R611	24011392	CHIP, METAL FILM, 1/20W 3.9K OHM J (50H72)
R612	24011332	CHIP, METAL FILM, 1/20W 3.3K OHM J (43H72)
R612	24011392	CHIP, METAL FILM, 1/20W 3.9K OHM J (50H72)
R613	24011222	CHIP, METAL FILM, 1/20W 2.2K OHM J
R661	24011101	CHIP, METAL FILM, 1/20W 100 OHM J
R662	24011332	CHIP, METAL FILM, 1/20W 3.3K OHM J
R663	24011472	CHIP, METAL FILM, 1/20W 4.7K OHM J
R665	24011223	CHIP, METAL FILM, 1/20W 22K OHM J
R666	24011473	CHIP, METAL FILM, 1/20W 47K OHM J
R667	24011223	CHIP, METAL FILM, 1/20W 22K OHM J
R668	24011473	CHIP, METAL FILM, 1/20W 47K OHM J
R669	24011222	CHIP, METAL FILM, 1/20W 2.2K OHM J
R671	24011101	CHIP, METAL FILM, 1/20W 100 OHM J
R672	24011332	CHIP, METAL FILM, 1/20W 3.3K OHM J
R673	24011472	CHIP, METAL FILM, 1/20W 4.7K OHM J
R674	24011103	CHIP, METAL FILM, 1/20W 10K OHM J
R682	24011473	CHIP, METAL FILM, 1/20W 47K OHM J
R683	24011223	CHIP, METAL FILM, 1/20W 22K OHM J
R684	24011223	CHIP, METAL FILM, 1/20W 22K OHM J
R687	24011103	CHIP, METAL FILM, 1/20W 10K OHM J
R689	24011222	CHIP, METAL FILM, 1/20W 2.2K OHM J
R690	24011102	CHIP, METAL FILM, 1/20W 1K OHM J
R691	24011103	CHIP, METAL FILM, 1/20W 10K OHM J
R692	24011103	CHIP, METAL FILM, 1/20W 10K OHM J
R693	24011102	CHIP, METAL FILM, 1/20W 1K OHM J
R695	24011103	CHIP, METAL FILM, 1/20W 10K OHM J
R702	24552221	OXIDE METAL FILM, 1/2W 220 OHM J
R709	24366563	CARBON FILM, 1/6W 56K OHM J
R713	24366273	CARBON FILM, 1/6W 27K OHM J
R715	24366333	CARBON FILM, 1/6W 33K OHM J
R716	24366273	CARBON FILM, 1/6W 27K OHM J
R717	24366333	CARBON FILM, 1/6W 33K OHM J
R718	24366101	CARBON FILM, 1/6W 100 OHM J
R719	24366100	CARBON FILM, 1/6W 10 OHM J
R720	24552331	OXIDE METAL FILM, 1/2W 330 OHM J
R722	24552471	OXIDE METAL FILM, 1/2W 470 OHM J
R723	24366101	CARBON FILM, 1/6W 100 OHM J
R724	24366151	CARBON FILM, 1/6W 150 OHM J
R725	24366332	CARBON FILM, 1/6W 3.3K OHM J
R730	24552100	OXIDE METAL FILM, 1/2W 10 OHM J
R731	24552331	OXIDE METAL FILM, 1/2W 330 OHM J
R732	24366470	CARBON FILM, 1/6W 47 OHM J
R733	24366683	CARBON FILM, 1/6W 68K OHM J
R734	24366470	CARBON FILM, 1/6W 47 OHM J

Location No.	Parts No.	Description
R735	24366683	CARBON FILM, 1/6W 68K OHM J
R736	24553330	OXIDE METAL FILM, 1W 33 OHM J
R737	24366751	CARBON FILM, 1/6W 750 OHM J
R738	24366102	CARBON FILM, 1/6W 1K OHM J
R739	24366751	CARBON FILM, 1/6W 750 OHM J
R740	24553330	OXIDE METAL FILM, 1W 33 OHM J
R741	24322229	OXIDE METAL FILM, 1W 2.2 OHM J
R742	24321229	OXIDE METAL FILM, 1/2W 2.2 OHM J
R743	24554221	OXIDE METAL FILM, 2W 220 OHM J
R744	24366122	CARBON FILM, 1/6W 1.2K OHM J
R745	24366122	CARBON FILM, 1/6W 1.2K OHM J
R761	24366273	CARBON FILM, 1/6W 27K OHM J
R762	24366563	CARBON FILM, 1/6W 56K OHM J
R763	24552331	OXIDE METAL FILM, 1/2W 330 OHM J
R764	24366470	CARBON FILM, 1/6W 47 OHM J
R765	24552100	OXIDE METAL FILM, 1/2W 10 OHM J
R766	24366470	CARBON FILM, 1/6W 47 OHM J
R767	24552221	OXIDE METAL FILM, 1/2W 220 OHM J
R768	24366751	CARBON FILM, 1/6W 750 OHM J
R769	24366122	CARBON FILM, 1/6W 1.2K OHM J
R770	24553330	OXIDE METAL FILM, 1W 33 OHM J
R771	24322229	OXIDE METAL FILM, 1W 2.2 OHM J
R772	24366683	CARBON FILM, 1/6W 68K OHM J
R773	24366683	CARBON FILM, 1/6W 68K OHM J
R774	24366751	CARBON FILM, 1/6W 750 OHM J
R775	24366122	CARBON FILM, 1/6W 1.2K OHM J
R776	24553330	OXIDE METAL FILM, 1W 33 OHM J
R777	24321229	OXIDE METAL FILM, 1/2W 2.2 OHM J
R778	24366102	CARBON FILM, 1/6W 1K OHM J
R779	24554221	OXIDE METAL FILM, 2W 220 OHM J
R781	24366273	CARBON FILM, 1/6W 27K OHM J
R782	24366563	CARBON FILM, 1/6W 56K OHM J
R783	24552221	OXIDE METAL FILM, 1/2W 220 OHM J
R784	24552100	OXIDE METAL FILM, 1/2W 10 OHM J
R785	24366470	CARBON FILM, 1/6W 47 OHM J
R786	24366751	CARBON FILM, 1/6W 750 OHM J
R787	24366122	CARBON FILM, 1/6W 1.2K OHM J
R788	24366683	CARBON FILM, 1/6W 68K OHM J
R789	24366683	CARBON FILM, 1/6W 68K OHM J
R790	24366751	CARBON FILM, 1/6W 750 OHM J
R791	24366122	CARBON FILM, 1/6W 1.2K OHM J
R792	24366102	CARBON FILM, 1/6W 1K OHM J
R793	24321229	OXIDE METAL FILM, 1/2W 2.2 OHM J
R794	24553330	OXIDE METAL FILM, 1W 33 OHM J
R795	24322229	OXIDE METAL FILM, 1W 2.2 OHM J
R796	24554221	OXIDE METAL FILM, 2W 220 OHM J
R797	24366470	CARBON FILM, 1/6W 47 OHM J
R798	24552331	OXIDE METAL FILM, 1/2W 330 OHM J
R799	24553330	OXIDE METAL FILM, 1W 33 OHM J
R810	24007513	CEMENT 15W 0.62 K
R811	24007513	CEMENT 15W 0.62 K
R818	24366102	CARBON FILM, 1/6W 1K OHM J
R819	24366103	CARBON FILM, 1/6W 10K OHM J
R856	24366152	CARBON FILM, 1/6W 1.5K OHM J
R857	24552682	OXIDE METAL FILM, 1/2W 6.8K OHM J
R858	24366102	CARBON FILM, 1/6W 1K OHM J
R859	24382333	OXIDE METAL FILM, 1W 33K OHM J
R861	24383473	OXIDE METAL FILM, 2W 47K OHM J
R862	24321689	METAL FILM, 1/2W 6.8 OHM J
R863	24366101	CARBON FILM, 1/6W 100 OHM J
R864	24552102	OXIDE METAL FILM, 1/2W 1K OHM J
R865	24552390	OXIDE METAL FILM, 1/2W 39 OHM J
R866	24366393	CARBON FILM, 1/6W 39K OHM J
R867	24366102	CARBON FILM, 1/6W 1K OHM J
R868	24552470	OXIDE METAL FILM, 1/2W 47 OHM J



Location No.	Parts No.	Description
R869	24366100	CARBON FILM, 1/6W 10 OHM J
R870	24381151	OXIDE METAL FILM, 1/2W 150 OHM J
R871	24382680	OXIDE METAL FILM, 1W 68 OHM J
R872	24377224	CARBON FILM, 1W 220K OHM J
R873	24366479	CARBON FILM, 1/6W 4.7 OHM J
R898	24010001	CARBON FILM 1/2W 3.9M J
R900	24000892	FUSIBLE, 1W 1.2 OHM J
R901	24366101	CARBON FILM, 1/6W 100 OHM J
R902	24366331	CARBON FILM, 1/6W 330 OHM J
R903	24942102	CARBON COMPOSITION, 1/2W 1K OHM J
R904	24366222	CARBON FILM, 1/6W 2.2K OHM J
R905	24366330	CARBON FILM, 1/6W 33 OHM J
R906	24366331	CARBON FILM, 1/6W 330 OHM J
R908	24366150	CARBON FILM, 1/6W 15 OHM J
R909	24366330	CARBON FILM, 1/6W 33 OHM J
R910	24322478	METAL FILM 1W R47 J
R911	24366101	CARBON FILM, 1/6W 100 OHM J
R913	24942102	CARBON COMPOSITION, 1/2W 1K OHM J
R914	24366222	CARBON FILM, 1/6W 2.2K OHM J
R915	24366270	CARBON FILM, 1/6W 27 OHM J
R916	24366331	CARBON FILM, 1/6W 330 OHM J
R917	24366331	CARBON FILM, 1/6W 330 OHM J
R918	24366100	CARBON FILM, 1/6W 10 OHM J
R919	24366270	CARBON FILM, 1/6W 27 OHM J
R920	24366562	CARBON FILM, 1/6W 5.6K OHM J
R921	24366101	CARBON FILM, 1/6W 100 OHM J
R922	24366331	CARBON FILM, 1/6W 330 OHM J
R923	24942102	CARBON COMPOSITION, 1/2W 1K OHM J
R924	24366222	CARBON FILM, 1/6W 2.2K OHM J
R925	24366390	CARBON FILM, 1/6W 39 OHM J
R926	24366331	CARBON FILM, 1/6W 330 OHM J
R927	24366100	CARBON FILM, 1/6W 10 OHM J
R928	24366100	CARBON FILM, 1/6W 10 OHM J
R929	24366330	CARBON FILM, 1/6W 33 OHM J
R930	24366153	CARBON FILM, 1/6W 15K OHM J
R931	24554153	OXIDE METAL FILM, 2W 15K OHM J
R932	24554153	OXIDE METAL FILM, 2W 15K OHM J
R935	24366820	CARBON FILM, 1/6W 82 OHM J
R936	24554153	OXIDE METAL FILM, 2W 15K OHM J
R937	24554153	OXIDE METAL FILM, 2W 15K OHM J
R938	24366150	CARBON FILM, 1/6W 15 OHM J
R941	24554153	OXIDE METAL FILM, 2W 15K OHM J
R942	24554153	OXIDE METAL FILM, 2W 15K OHM J
R943	24554153	OXIDE METAL FILM, 2W 15K OHM J
R944	24554153	OXIDE METAL FILM, 2W 15K OHM J
R945	24366150	CARBON FILM, 1/6W 15 OHM J
R948	24366562	CARBON FILM, 1/6W 5.6K OHM J
R949	24366153	CARBON FILM, 1/6W 15K OHM J
R951	24554153	OXIDE METAL FILM, 2W 15K OHM J
R952	24554153	OXIDE METAL FILM, 2W 15K OHM J
R953	24554153	OXIDE METAL FILM, 2W 15K OHM J
R954	24554153	OXIDE METAL FILM, 2W 15K OHM J
R956	24366101	CARBON FILM, 1/6W 100 OHM J
R959	24366150	CARBON FILM, 1/6W 15 OHM J
R961	24366152	CARBON FILM, 1/6W 1.5K OHM J
R962	24366100	CARBON FILM, 1/6W 1K OHM J
R963	24366102	CARBON FILM, 1/6W 10 OHM J
R964	24366332	CARBON FILM, 1/6W 3.3K OHM J
R965	24366471	CARBON FILM, 1/6W 470 OHM J
R966	24366331	CARBON FILM, 1/6W 330 OHM J
R967	24366681	CARBON FILM, 1/6W 680 OHM J
R968	24366470	CARBON FILM, 1/6W 47 OHM J
R969	24366683	CARBON FILM, 1/6W 68K OHM J
R970	24366393	CARBON FILM, 1/6W 39K OHM J
R971	24367821	CARBON FILM, 1/6W 820 OHM G

Location No.	Parts No.	Description
R972	24367471	CARBON FILM, 1/6W 470 OHM G
R973	24367681	CARBON FILM, 1/6W 680 OHM G
R974	24367681	CARBON FILM, 1/6W 680 OHM G
R975	24366561	CARBON FILM, 1/6W 560 OHM J
R976	24367472	CARBON FILM, 1/6W 4.7K OHM G
R977	24367512	CARBON FILM, 1/6W 5.1K OHM G
R978	24367391	CARBON FILM, 1/6W 390 OHM G
R983	24366681	CARBON FILM, 1/6W 680 OHM J
R984	24366821	CARBON FILM, 1/6W 820 OHM J
R985	24366821	CARBON FILM, 1/6W 820 OHM J
R986	24366821	CARBON FILM, 1/6W 820 OHM J
R987	24366470	CARBON FILM, 1/6W 47 OHM J
R991	24366562	CARBON FILM, 1/6W 5.6K OHM J
R992	24366153	CARBON FILM, 1/6W 15K OHM J
R995	24366100	CARBON FILM, 1/6W 10 OHM J
R2108	24011101	CHIP, METAL FILM, 1/20W 100 OHM J
R2109	24011102	CHIP, METAL FILM, 1/20W 1K OHM J
R4005	24366102	CARBON FILM, 1/6W 1K OHM J
R4010	24366102	CARBON FILM, 1/6W 1K OHM J
R4011	24366223	CARBON FILM, 1/6W 22K OHM J
R4012	24366223	CARBON FILM, 1/6W 22K OHM J
R4013	24366103	CARBON FILM, 1/6W 10K OHM J
R4014	24366222	CARBON FILM, 1/6W 2.2K OHM J
R4015	24000633	METAL FILM, 1/4W 10K OHM F
R4016	24366105	CARBON FILM, 1/6W 1M OHM J
R4017	24000639	METAL FILM, 1/4W 22K OHM F
R4018	24000203	METAL FILM, 1/4W 27K F
R4020	24000370	METAL FILM, 1/4W 3.3K OHM F
R4021	24000637	METAL FILM, 1/4W 15K OHM F
R4022	24000368	METAL FILM, 1/4W 2.7K OHM F
R4023	24366472	CARBON FILM, 1/6W 4.7K OHM J
R4024	24000203	METAL FILM, 1/4W 27K F
R4025	24000364	METAL FILM, 1/4W 1.8K OHM F
R4026	24383470	OXIDE METAL FILM, 2W 47 OHM J
R4030	24366102	CARBON FILM, 1/6W 1K OHM J
R4031	24366562	CARBON FILM, 1/6W 5.6K OHM J
R4032	24000639	METAL FILM, 1/4W 22K OHM F
R4033	24000147	METAL FILM, 1/4W 470 OHM F
R4034	24066864	VARIABLE RESISTOR
R4035	24000372	METAL FILM, 1/4W 3.9K OHM F
R4036	24366102	CARBON FILM, 1/6W 1K OHM J
R4502	24011472	CHIP, METAL FILM, 1/20W 4.7K OHM J
R4503	24011822	CHIP, METAL FILM, 1/20W 8.2K OHM J
R4504	24011182	CHIP, METAL FILM, 1/20W 1.8K OHM J
R4505	24011223	CHIP, METAL FILM, 1/20W 22K OHM J
R4506	24011103	CHIP, METAL FILM, 1/20W 10K OHM J
R4507	24011103	CHIP, METAL FILM, 1/20W 10K OHM J
R4508	24011102	CHIP, METAL FILM, 1/20W 1K OHM J
R4509	24011561	CHIP, METAL FILM, 1/20W 560 OHM J
R4510	24000824	JUMPER CHIP, 2125TYPE
R4512	24011103	CHIP, METAL FILM, 1/20W 10K OHM J
R4513	24011222	CHIP, METAL FILM, 1/20W 2.2K OHM J
R4514	24000824	JUMPER CHIP, 2125TYPE
R4515	24011682	CHIP, METAL FILM, 1/20W 6.8K OHM J
R4516	24011102	CHIP, METAL FILM, 1/20W 1K OHM J
R4517	24011101	CHIP, METAL FILM, 1/20W 100 OHM J
R4521	24011222	CHIP, METAL FILM, 1/20W 2.2K OHM J
R4522	24011272	CHIP, METAL FILM, 1/20W 2.7K OHM J
R4523	24011102	CHIP, METAL FILM, 1/20W 1K OHM J
R4524	24011103	CHIP, METAL FILM, 1/20W 10K OHM J
R4525	24011103	CHIP, METAL FILM, 1/20W 10K OHM J
R4527	24011102	CHIP, METAL FILM, 1/20W 1K OHM J
R4528	24011102	CHIP, METAL FILM, 1/20W 1K OHM J
R4531	24011103	CHIP, METAL FILM, 1/20W 10K OHM J
R4532	24011472	CHIP, METAL FILM, 1/20W 4.7K OHM J

Location No.	Parts No.	Description
R4533	24011331	CHIP, METAL FILM, 1/20W 330 OHM J
R4534	24011471	CHIP, METAL FILM, 1/20W 470 OHM J
R4535	24011471	CHIP, METAL FILM, 1/20W 470 OHM J
R4536	24011472	CHIP, METAL FILM, 1/20W 4.7K OHM J
R4538	24011222	CHIP, METAL FILM, 1/20W 2.2K OHM J
R4539	24011472	CHIP, METAL FILM, 1/20W 4.7K OHM J
R4541	24011471	CHIP, METAL FILM, 1/20W 470 OHM J
R4542	24011330	CHIP, METAL FILM, 1/20W 33 OHM J
R4545	24011101	CHIP, METAL FILM, 1/20W 100 OHM J
R4546	24011101	CHIP, METAL FILM, 1/20W 100 OHM J
R4551	24011101	CHIP, METAL FILM, 1/20W 100 OHM J
R4552	24011101	CHIP, METAL FILM, 1/20W 100 OHM J
R4553	24011101	CHIP, METAL FILM, 1/20W 100 OHM J
R7707	24011472	CHIP, METAL FILM, 1/20W 4.7K OHM J
R7708	24011472	CHIP, METAL FILM, 1/20W 4.7K OHM J
R7710	24383221	OXIDE METAL FILM, 2W 220 OHM J
R7711	24547189	FUSIBLE, 1W 1.8 OHM J
R7712	24011472	CHIP, METAL FILM, 1/20W 4.7K OHM J
R7713	24011472	CHIP, METAL FILM, 1/20W 4.7K OHM J
R7715	24383221	OXIDE METAL FILM, 2W 220 OHM J
R7716	24547189	FUSIBLE, 1W 1.8 OHM J
R7717	24011472	CHIP, METAL FILM, 1/20W 4.7K OHM J
R7718	24011472	CHIP, METAL FILM, 1/20W 4.7K OHM J
R7720	24383221	OXIDE METAL FILM, 2W 220 OHM J
R7721	24547189	FUSIBLE, 1W 1.8 OHM J
R7722	24011472	CHIP, METAL FILM, 1/20W 4.7K OHM J
R7723	24011472	CHIP, METAL FILM, 1/20W 4.7K OHM J
R7725	24383221	OXIDE METAL FILM, 2W 220 OHM J
R7726	24547189	FUSIBLE, 1W 1.8 OHM J
R7727	24011472	CHIP, METAL FILM, 1/20W 4.7K OHM J
R7728	24011472	CHIP, METAL FILM, 1/20W 4.7K OHM J
R7730	24383221	OXIDE METAL FILM, 2W 220 OHM J
R7731	24547189	FUSIBLE, 1W 1.8 OHM J
R7732	24011472	CHIP, METAL FILM, 1/20W 4.7K OHM J
R7733	24011472	CHIP, METAL FILM, 1/20W 4.7K OHM J
R7735	24383221	OXIDE METAL FILM, 2W 220 OHM J
R7736	24547189	FUSIBLE, 1W 1.8 OHM J
R7760	24011103	CHIP, METAL FILM, 1/20W 10K OHM J
R7761	24011333	CHIP, METAL FILM, 1/20W 33K OHM J
R7762	24011103	CHIP, METAL FILM, 1/20W 10K OHM J
R7766	24011223	CHIP, METAL FILM, 1/20W 22K OHM J
R7767	24011153	CHIP, METAL FILM, 1/20W 15K OHM J
R7775	24011333	CHIP, METAL FILM, 1/20W 33K OHM J
R7776	24011472	CHIP, METAL FILM, 1/20W 4.7K OHM J
R7777	24011333	CHIP, METAL FILM, 1/20W 33K OHM J
R7778	24011472	CHIP, METAL FILM, 1/20W 4.7K OHM J
R7779	24011102	CHIP, METAL FILM, 1/20W 1K OHM J
R7780	24011102	CHIP, METAL FILM, 1/20W 1K OHM J
R7781	24011333	CHIP, METAL FILM, 1/20W 33K OHM J
R7793	24011123	CHIP, METAL FILM, 1/20W 12K OHM J
R7797	24011472	CHIP, METAL FILM, 1/20W 4.7K OHM J
R7799	24011222	CHIP, METAL FILM, 1/20W 2.2K OHM J
R7836	24011472	CHIP, METAL FILM, 1/20W 4.7K OHM J
R7837	24011221	CHIP, METAL FILM, 1/20W 220 OHM J
R7841	24011221	CHIP, METAL FILM, 1/20W 220 OHM J
R7842	24011103	CHIP, METAL FILM, 1/20W 10K OHM J
R7843	24011472	CHIP, METAL FILM, 1/20W 4.7K OHM J
R7844	24011103	CHIP, METAL FILM, 1/20W 10K OHM J
R7845	24011472	CHIP, METAL FILM, 1/20W 4.7K OHM J
R7846	24011103	CHIP, METAL FILM, 1/20W 10K OHM J
R7847	24011103	CHIP, METAL FILM, 1/20W 10K OHM J
R7848	24011472	CHIP, METAL FILM, 1/20W 4.7K OHM J
R7849	24011101	CHIP, METAL FILM, 1/20W 100 OHM J
R7861	24011472	CHIP, METAL FILM, 1/20W 4.7K OHM J
R7862	24011472	CHIP, METAL FILM, 1/20W 4.7K OHM J

Location No.	Parts No.	Description
R7864	24011221	CHIP, METAL FILM, 1/20W 220 OHM J
R7865	24011102	CHIP, METAL FILM, 1/20W 1K OHM J
R7866	24011102	CHIP, METAL FILM, 1/20W 1K OHM J
R7867	24011102	CHIP, METAL FILM, 1/20W 1K OHM J
R7868	24011822	CHIP, METAL FILM, 1/20W 8.2K OHM J
R7871	24000358	METAL FILM, 1/4W 1K OHM F
R7872	24011103	CHIP, METAL FILM, 1/20W 10K OHM J
R7880	24011221	CHIP, METAL FILM, 1/20W 220 OHM J
R7881	24011472	CHIP, METAL FILM, 1/20W 4.7K OHM J
R7882	24011103	CHIP, METAL FILM, 1/20W 10K OHM J
R7883	24011103	CHIP, METAL FILM, 1/20W 10K OHM J
R7884	24011103	CHIP, METAL FILM, 1/20W 10K OHM J
R7885	24011103	CHIP, METAL FILM, 1/20W 10K OHM J
R7886	24011224	CHIP, METAL FILM, 1/20W 220K OHM J
R7887	24011562	CHIP, METAL FILM, 1/20W 5.6K OHM J
R7888	24011183	CHIP, METAL FILM, 1/20W 18K OHM J
R7889	24011183	CHIP, METAL FILM, 1/20W 18K OHM J
R7890	24011471	CHIP, METAL FILM, 1/20W 470 OHM J
R7891	24011471	CHIP, METAL FILM, 1/20W 470 OHM J
R7892	24383330	OXIDE FILM 2W 33. J
R7893	24011101	CHIP, METAL FILM, 1/20W 100 OHM J
R7894	24011472	CHIP, METAL FILM, 1/20W 4.7K OHM J
R7895	24011103	CHIP, METAL FILM, 1/20W 10K OHM J
R7896	24011221	CHIP, METAL FILM, 1/20W 220 OHM J
R7897	24011103	CHIP, METAL FILM, 1/20W 10K OHM J
R7898	24011472	CHIP, METAL FILM, 1/20W 4.7K OHM J
R7899	24011221	CHIP, METAL FILM, 1/20W 220 OHM J
R7904	24000247	METAL FILM, 1/4W 39K OHM F
R7906	24011472	CHIP, METAL FILM, 1/20W 4.7K OHM J
R7907	24011223	CHIP, METAL FILM, 1/20W 22K OHM J
R7908	24011473	CHIP, METAL FILM, 1/20W 47K OHM J
R7909	24011562	CHIP, METAL FILM, 1/20W 5.6K OHM J
R7910	24011222	CHIP, METAL FILM, 1/20W 2.2K OHM J
R7911	24011221	CHIP, METAL FILM, 1/20W 220 OHM J
R7912	24011221	CHIP, METAL FILM, 1/20W 220 OHM J
R7913	24011221	CHIP, METAL FILM, 1/20W 220 OHM J
R7914	24381182	OXIDE METAL FILM, 1/2W 1.8K OHM J
R9501	24366470	CARBON FILM, 1/6W 47 OHM J
R9502	24366470	CARBON FILM, 1/6W 47 OHM J
R9503	24366681	CARBON FILM, 1/6W 680 OHM J
R9504	24366683	CARBON FILM, 1/6W 68K OHM J
R9505	24366393	CARBON FILM, 1/6W 39K OHM J
R9506	24366681	CARBON FILM, 1/6W 680 OHM J
R9507	24366220	CARBON FILM, 1/6W 22 OHM J
R9601	24366121	CARBON FILM, 1/6W 120 OHM J
R9602	24366682	CARBON FILM, 1/6W 6.8K OHM J
R9603	24366562	CARBON FILM, 1/6W 5.6K OHM J
R9604	24366272	CARBON FILM, 1/6W 2.7K OHM J
R9605	24366682	CARBON FILM, 1/6W 6.8K OHM J
R9606	24366272	CARBON FILM, 1/6W 2.7K OHM J
R9607	24366470	CARBON FILM, 1/6W 47 OHM J
R9608	24366681	CARBON FILM, 1/6W 680 OHM J
R9609	24366683	CARBON FILM, 1/6W 68K OHM J
R9610	24366393	CARBON FILM, 1/6W 39K OHM J
R9611	24366681	CARBON FILM, 1/6W 680 OHM J
R9612	24366470	CARBON FILM, 1/6W 47 OHM J
R9613	24366270	CARBON FILM, 1/6W 27 OHM J
R9614	24366300	CARBON FILM, 1/6W 30 OHM J
R9620	24366100	CARBON FILM, 1/6W 10 OHM J
R9701	24366103	CARBON FILM, 1/6W 10K OHM J
R9702	24366103	CARBON FILM, 1/6W 10K OHM J
R9703	24366103	CARBON FILM, 1/6W 10K OHM J
R9705	24366822	CARBON FILM, 1/6W 8.2K OHM J
R9706	24366682	CARBON FILM, 1/6W 6.8K OHM J
R9707	24366391	CARBON FILM, 1/6W 390 OHM J

Location No.	Parts No.	Description
R9708	24366821	CARBON FILM, 1/6W 820 OHM J
R9709	24366151	CARBON FILM, 1/6W 150 OHM J
R9710	24366332	CARBON FILM, 1/6W 3.3K OHM J
R9711	24366272	CARBON FILM, 1/6W 2.7K OHM J
R9712	24366222	CARBON FILM, 1/6W 2.2K OHM J
R9713	24366102	CARBON FILM, 1/6W 1K OHM J
R9714	24366102	CARBON FILM, 1/6W 1K OHM J
R9715	24366102	CARBON FILM, 1/6W 1K OHM J
RA01	24011102	CHIP, METAL FILM, 1/20W 1K OHM J
RA02	24011101	CHIP, METAL FILM, 1/20W 100 OHM J
RA03	24011101	CHIP, METAL FILM, 1/20W 100 OHM J
RA04	24011102	CHIP, METAL FILM, 1/20W 1K OHM J
RA05	24011102	CHIP, METAL FILM, 1/20W 1K OHM J
RA06	24011102	CHIP, METAL FILM, 1/20W 1K OHM J
RA07	24011102	CHIP, METAL FILM, 1/20W 1K OHM J
RA08	24011102	CHIP, METAL FILM, 1/20W 1K OHM J
RA09	24011102	CHIP, METAL FILM, 1/20W 1K OHM J
RA12	24011102	CHIP, METAL FILM, 1/20W 1K OHM J
RA13	24011102	CHIP, METAL FILM, 1/20W 1K OHM J
RA14	24011103	CHIP, METAL FILM, 1/20W 10K OHM J
RA15	24011102	CHIP, METAL FILM, 1/20W 1K OHM J
RA16	24011102	CHIP, METAL FILM, 1/20W 1K OHM J
RA17	24011101	CHIP, METAL FILM, 1/20W 100 OHM J
RA18	24011103	CHIP, METAL FILM, 1/20W 10K OHM J
RA21	24011102	CHIP, METAL FILM, 1/20W 1K OHM J
RA22	24011682	CHIP, METAL FILM, 1/20W 6.8K OHM J
RA23	24011102	CHIP, METAL FILM, 1/20W 1K OHM J
RA26	24011333	CHIP, METAL FILM, 1/20W 33K OHM J
RA28	24011101	CHIP, METAL FILM, 1/20W 100 OHM J
RA30	24011101	CHIP, METAL FILM, 1/20W 100 OHM J
RA32	24011682	CHIP, METAL FILM, 1/20W 6.8K OHM J
RA35	24011152	CHIP, METAL FILM, 1/20W 1.5K OHM J
RA36	24011332	CHIP, METAL FILM, 1/20W 3.3K OHM J
RA37	24011101	CHIP, METAL FILM, 1/20W 100 OHM J
RA38	24011101	CHIP, METAL FILM, 1/20W 100 OHM J
RA39	24011101	CHIP, METAL FILM, 1/20W 100 OHM J
RA40	24011101	CHIP, METAL FILM, 1/20W 100 OHM J
RA41	24011332	CHIP, METAL FILM, 1/20W 3.3K OHM J
RA42	24011151	CHIP, METAL FILM, 1/20W 150 OHM J
RA43	24011102	CHIP, METAL FILM, 1/20W 1K OHM J
RA44	24011102	CHIP, METAL FILM, 1/20W 1K OHM J
RA45	24011102	CHIP, METAL FILM, 1/20W 1K OHM J
RA46	24011102	CHIP, METAL FILM, 1/20W 1K OHM J
RA49	24011102	CHIP, METAL FILM, 1/20W 1K OHM J
RA51	24011101	CHIP, METAL FILM, 1/20W 100 OHM J
RA52	24011103	CHIP, METAL FILM, 1/20W 10K OHM J
RA54	24011332	CHIP, METAL FILM, 1/20W 3.3K OHM J
RA55	24011102	CHIP, METAL FILM, 1/20W 1K OHM J
RA59	24011101	CHIP, METAL FILM, 1/20W 100 OHM J
RA60	24011101	CHIP, METAL FILM, 1/20W 100 OHM J
RA71	24366273	CARBON FILM, 1/6W 27K OHM J
RA72	24011332	CHIP, METAL FILM, 1/20W 3.3K OHM J
RA72	24366153	CARBON FILM, 1/6W 15K OHM J
RA73	24011471	CHIP, METAL FILM, 1/20W 470 OHM J
RA73	24366822	CARBON FILM, 1/6W 8.2K OHM J
RA74	24011153	CHIP, METAL FILM, 1/20W 15K OHM J
RA75	24011153	CHIP, METAL FILM, 1/20W 15K OHM J
RA76	24011103	CHIP, METAL FILM, 1/20W 10K OHM J
RA76	24366822	CARBON FILM, 1/6W 8.2K OHM J
RA77	24011103	CHIP, METAL FILM, 1/20W 10K OHM J
RA77	24366153	CARBON FILM, 1/6W 15K OHM J
RA78	24011333	CHIP, METAL FILM, 1/20W 33K OHM J
RA78	24366273	CARBON FILM, 1/6W 27K OHM J
RA79	24011333	CHIP, METAL FILM, 1/20W 33K OHM J
RA79	24366823	CARBON FILM, 1/6W 82K OHM J

Location No.	Parts No.	Description
RA80	24011101	CHIP, METAL FILM, 1/20W 100 OHM J
RA81	24011473	CHIP, METAL FILM, 1/20W 47K OHM J
RA021	24011101	CHIP, METAL FILM, 1/20W 100 OHM J
RA031	24011101	CHIP, METAL FILM, 1/20W 100 OHM J
RA141	24011103	CHIP, METAL FILM, 1/20W 10K OHM J
RA161	24011103	CHIP, METAL FILM, 1/20W 10K OHM J
RA181	24011103	CHIP, METAL FILM, 1/20W 10K OHM J
RA210	24011102	CHIP, METAL FILM, 1/20W 1K OHM J
RA211	24011102	CHIP, METAL FILM, 1/20W 1K OHM J
RA212	24011102	CHIP, METAL FILM, 1/20W 1K OHM J
RA221	24011153	CHIP, METAL FILM, 1/20W 15K OHM J
RA361	24011102	CHIP, METAL FILM, 1/20W 1K OHM J
RA401	24011331	CHIP, METAL FILM, 1/20W 330 OHM J
RA431	24011103	CHIP, METAL FILM, 1/20W 10K OHM J
RA703	24011102	CHIP, METAL FILM, 1/20W 1K OHM J
RA705	24011103	CHIP, METAL FILM, 1/20W 10K OHM J
RA708	24011101	CHIP, METAL FILM, 1/20W 100 OHM J
RB01	24366391	CARBON FILM, 1/6W 390 OHM J
RB03	24011330	CHIP, METAL FILM, 1/20W 33 OHM J
RB04	24366473	CARBON FILM, 1/6W 47K OHM J
RB05	24011102	CHIP, METAL FILM, 1/20W 1K OHM J
RB05	24366102	CARBON FILM, 1/6W 1K OHM J
RB14	24011153	CHIP, METAL FILM, 1/20W 15K OHM J
RB15	24011153	CHIP, METAL FILM, 1/20W 15K OHM J
RB15	24366471	CARBON FILM, 1/6W 470 OHM J
RB16	24011471	CHIP, METAL FILM, 1/20W 470 OHM J
RB17	24011332	CHIP, METAL FILM, 1/20W 3.3K OHM J
RB19	24366470	CARBON FILM, 1/6W 47 OHM J
RB41	24366123	CARBON FILM, 1/6W 12K OHM J
RB41	24366151	CARBON FILM, 1/6W 150 OHM J
RB42	24366153	CARBON FILM, 1/6W 15K OHM J
RB61	24011222	CHIP, METAL FILM, 1/20W 2.2K OHM J
RB62	24011103	CHIP, METAL FILM, 1/20W 10K OHM J
RB64	24011332	CHIP, METAL FILM, 1/20W 3.3K OHM J
RB65	24011392	CHIP, METAL FILM, 1/20W 3.9K OHM J
RB81	24011122	CHIP, METAL FILM, 1/20W 1.2K OHM J
RB82	24011123	CHIP, METAL FILM, 1/20W 12K OHM J
RB83	24011123	CHIP, METAL FILM, 1/20W 12K OHM J
RB84	24011562	CHIP, METAL FILM, 1/20W 5.6K OHM J
RB90	24011392	CHIP, METAL FILM, 1/20W 3.9K OHM J
RB91	24011473	CHIP, METAL FILM, 1/20W 47K OHM J
RB92	24011271	CHIP, METAL FILM, 1/20W 270 OHM J
RB93	24011271	CHIP, METAL FILM, 1/20W 270 OHM J
RB94	24011222	CHIP, METAL FILM, 1/20W 2.2K OHM J
RB95	24011222	CHIP, METAL FILM, 1/20W 2.2K OHM J
RB96	24011273	CHIP, METAL FILM, 1/20W 27K OHM J
RB97	24011273	CHIP, METAL FILM, 1/20W 27K OHM J
RB98	24011102	CHIP, METAL FILM, 1/20W 1K OHM J
RB031	24011330	CHIP, METAL FILM, 1/20W 33 OHM J
RB032	24011330	CHIP, METAL FILM, 1/20W 33 OHM J
RB033	24011103	CHIP, METAL FILM, 1/20W 10K OHM J
RB051	24011102	CHIP, METAL FILM, 1/20W 1K OHM J
RB052	24011332	CHIP, METAL FILM, 1/20W 3.3K OHM J
RB512	24011100	CHIP, METAL FILM, 1/20W 10 OHM J
RB551	24011102	CHIP, METAL FILM, 1/20W 1K OHM J
RB552	24011102	CHIP, METAL FILM, 1/20W 1K OHM J
RB553	24011332	CHIP, METAL FILM, 1/20W 3.3K OHM J
RD02	24366101	CARBON FILM, 1/6W 100 OHM J
RD03	24366105	CARBON FILM, 1/6W 1M OHM J
RD04	24366221	CARBON FILM, 1/6W 220 OHM J
RD05	24366101	CARBON FILM, 1/6W 100 OHM J
RD07	24366101	CARBON FILM, 1/6W 100 OHM J
RD41	24366102	CARBON FILM, 1/6W 1K OHM J
RD42	24366432	CARBON FILM, 1/6W 4.3K OHM J
RD43	24366114	CARBON FILM, 1/6W 110K OHM J

Location No.	Parts No.	Description
RD44	24366132	CARBON FILM, 1/6W 1.3K OHM J
RD45	24366473	CARBON FILM, 1/6W 47K OHM J
RD46	24366513	CARBON FILM, 1/6W 51K OHM J
RD47	24366392	CARBON FILM, 1/6W 3.9K OHM J
RD61	24366103	CARBON FILM, 1/6W 10K OHM J
RD63	24366101	CARBON FILM, 1/6W 100 OHM J
RD64	24366101	CARBON FILM, 1/6W 100 OHM J
RD65	24366122	CARBON FILM, 1/6W 1.2K OHM J
RD66	24366821	CARBON FILM, 1/6W 820 OHM J
RD67	24366152	CARBON FILM, 1/6W 1.5K OHM J
RD68	24366681	CARBON FILM, 1/6W 680 OHM J
RD71	24366223	CARBON FILM, 1/6W 22K OHM J
RD72	24366223	CARBON FILM, 1/6W 22K OHM J
RD106	24366101	CARBON FILM, 1/6W 100 OHM J
RD108	24366101	CARBON FILM, 1/6W 100 OHM J
RD110	24366223	CARBON FILM, 1/6W 22K OHM J
RD111	24366223	CARBON FILM, 1/6W 22K OHM J
RD113	24366101	CARBON FILM, 1/6W 100 OHM J
RD114	24366221	CARBON FILM, 1/6W 220 OHM J
RD115	24366101	CARBON FILM, 1/6W 100 OHM J
RD116	24366101	CARBON FILM, 1/6W 100 OHM J
RD117	24366101	CARBON FILM, 1/6W 100 OHM J
RD120	24366101	CARBON FILM, 1/6W 100 OHM J
RH002	24011473	CHIP, METAL FILM, 1/20W 47K OHM J
RH003	24011473	CHIP, METAL FILM, 1/20W 47K OHM J
RH004	24011221	CHIP, METAL FILM, 1/20W 220 OHM J
RH005	24011221	CHIP, METAL FILM, 1/20W 220 OHM J
RH006	24011221	CHIP, METAL FILM, 1/20W 220 OHM J
RH007	24011221	CHIP, METAL FILM, 1/20W 220 OHM J
RH008	24011221	CHIP, METAL FILM, 1/20W 220 OHM J
RH009	24011104	CHIP, METAL FILM, 1/20W 100K OHM J
RH041	24011101	CHIP, METAL FILM, 1/20W 100 OHM J
RH042	24011101	CHIP, METAL FILM, 1/20W 100 OHM J
RH043	24011101	CHIP, METAL FILM, 1/20W 100 OHM J
RH044	24011101	CHIP, METAL FILM, 1/20W 100 OHM J
RH051	24011222	CHIP, METAL FILM, 1/20W 2.2K OHM J
RH061	24011561	CHIP, METAL FILM, 1/20W 560 OHM J
RH062	24011102	CHIP, METAL FILM, 1/20W 1K OHM J
RH063	24011103	CHIP, METAL FILM, 1/20W 10K OHM J
RH064	24011103	CHIP, METAL FILM, 1/20W 10K OHM J
RH201	24011472	CHIP, METAL FILM, 1/20W 4.7K OHM J
RH202	24011472	CHIP, METAL FILM, 1/20W 4.7K OHM J
RH205	24011472	CHIP, METAL FILM, 1/20W 4.7K OHM J
RH206	24011472	CHIP, METAL FILM, 1/20W 4.7K OHM J
RH207	24011331	CHIP, METAL FILM, 1/20W 330 OHM J
RH208	24011221	CHIP, METAL FILM, 1/20W 220 OHM J
RH209	24011102	CHIP, METAL FILM, 1/20W 1K OHM J
RH210	24011102	CHIP, METAL FILM, 1/20W 1K OHM J
RH211	24011473	CHIP, METAL FILM, 1/20W 47K OHM J
RH212	24011473	CHIP, METAL FILM, 1/20W 47K OHM J
RH301	24011684	METAL FILM CHIP 1/20W 680K J (43H72)
RH302	24011102	CHIP, METAL FILM, 1/20W 1K OHM J (43H72)
RH303	24011153	CHIP, METAL FILM, 1/20W 15K OHM J (43H72)
RH304	24011153	CHIP, METAL FILM, 1/20W 15K OHM J (43H72)
RH305	24011102	CHIP, METAL FILM, 1/20W 1K OHM J
RH306	24011684	METAL FILM CHIP 1/20W 680K J
RH307	24011684	METAL FILM CHIP 1/20W 680K J
RH308	24011102	CHIP, METAL FILM, 1/20W 1K OHM J
RH309	24011203	CHIP, METAL FILM, 1/20W 20K OHM J
RH310	24011203	CHIP, METAL FILM, 1/20W 20K OHM J
RH311	24011102	CHIP, METAL FILM, 1/20W 1K OHM J
RH312	24011684	METAL FILM CHIP 1/20W 680K J

Location No.	Parts No.	Description
RH313	24011474	CHIP, METAL FILM, 1/20W 470K OHM J
RH314	24011474	CHIP, METAL FILM, 1/20W 470K OHM J
RH315	24011474	CHIP, METAL FILM, 1/20W 470K OHM J
RH316	24011474	CHIP, METAL FILM, 1/20W 470K OHM J
RH317	24011104	CHIP, METAL FILM, 1/20W 100K OHM J
RH318	24011102	CHIP, METAL FILM, 1/20W 1K OHM J
RH319	24011104	CHIP, METAL FILM, 1/20W 100K OHM J
RH320	24011102	CHIP, METAL FILM, 1/20W 1K OHM J
RH321	24011104	CHIP, METAL FILM, 1/20W 100K OHM J
RH322	24011102	CHIP, METAL FILM, 1/20W 1K OHM J
RH323	24011104	CHIP, METAL FILM, 1/20W 100K OHM J
RH324	24011102	CHIP, METAL FILM, 1/20W 1K OHM J
RH325	24011333	CHIP, METAL FILM, 1/20W 33K OHM J
RH326	24011333	CHIP, METAL FILM, 1/20W 33K OHM J
RH327	24011152	CHIP, METAL FILM, 1/20W 1.5K OHM J
RH328	24011103	CHIP, METAL FILM, 1/20W 10K OHM J
RH329	24011152	CHIP, METAL FILM, 1/20W 1.5K OHM J
RH330	24011103	CHIP, METAL FILM, 1/20W 10K OHM J
RH331	24011152	CHIP, METAL FILM, 1/20W 1.5K OHM J
RH332	24011103	CHIP, METAL FILM, 1/20W 10K OHM J
RH333	24011152	CHIP, METAL FILM, 1/20W 1.5K OHM J
RH334	24011103	CHIP, METAL FILM, 1/20W 10K OHM J
RH335	24011224	CHIP, METAL FILM, 1/20W 220K OHM J
RH336	24011224	CHIP, METAL FILM, 1/20W 220K OHM J
RH337	24011224	CHIP, METAL FILM, 1/20W 220K OHM J
RH338	24011224	CHIP, METAL FILM, 1/20W 220K OHM J
RH339	24011101	CHIP, METAL FILM, 1/20W 100 OHM J
RH340	24011101	CHIP, METAL FILM, 1/20W 100 OHM J
RH341	24011101	CHIP, METAL FILM, 1/20W 100 OHM J (43H72)
RH342	24011101	CHIP, METAL FILM, 1/20W 100 OHM J (43H72)
RH343	24011102	CHIP, METAL FILM, 1/20W 1K OHM J (43H72)
RH344	24011102	CHIP, METAL FILM, 1/20W 1K OHM J (43H72)
RH345	24011102	CHIP, METAL FILM, 1/20W 1K OHM J (43H72)
RH346	24011102	CHIP, METAL FILM, 1/20W 1K OHM J (43H72)
RH347	24011104	CHIP, METAL FILM, 1/20W 100K OHM J (43H72)
RH401	24011101	CHIP, METAL FILM, 1/20W 100 OHM J (43H72)
RH402	24011101	CHIP, METAL FILM, 1/20W 100 OHM J (43H72)
RH404	24011101	CHIP, METAL FILM, 1/20W 100 OHM J (43H72)
RH405	24011102	CHIP, METAL FILM, 1/20W 1K OHM J (43H72)
RH406	24011473	CHIP, METAL FILM, 1/20W 47K OHM J (43H72)
RH407	24011101	CHIP, METAL FILM, 1/20W 100 OHM J (43H72)
RH408	24011101	CHIP, METAL FILM, 1/20W 100 OHM J (43H72)
RH412	24011103	CHIP, METAL FILM, 1/20W 10K OHM J
RH413	24011103	CHIP, METAL FILM, 1/20W 10K OHM J
RH414	24011101	CHIP, METAL FILM, 1/20W 100 OHM J
RH415	24011101	CHIP, METAL FILM, 1/20W 100 OHM J
RH416	24011101	CHIP, METAL FILM, 1/20W 100 OHM J
RH417	24011101	CHIP, METAL FILM, 1/20W 100 OHM J
RH420	24011332	CHIP, METAL FILM, 1/20W 3.3K OHM J (43H72)

Location No.	Parts No.	Description
RH421	24011681	CHIP, METAL FILM, 1/20W 680 OHM J (43H72)
RH422	24011102	CHIP, METAL FILM, 1/20W 1K OHM J (43H72)
RH425	24011331	CHIP, METAL FILM, 1/20W 330 OHM J
RH427	24011222	CHIP, METAL FILM, 1/20W 2.2K OHM J (43H72)
RH428	24011472	CHIP, METAL FILM, 1/20W 4.7K OHM J (43H72)
RH429	24011105	CHIP, METAL FILM, 1/20W 1M OHM J (43H72)
RH430	24011472	CHIP, METAL FILM, 1/20W 4.7K OHM J
RH431	24011101	CHIP, METAL FILM, 1/20W 100 OHM J (43H72)
RH501	24011101	CHIP, METAL FILM, 1/20W 100 OHM J
RH502	24011101	CHIP, METAL FILM, 1/20W 100 OHM J
RH503	24011101	CHIP, METAL FILM, 1/20W 100 OHM J
RH504	24011101	CHIP, METAL FILM, 1/20W 100 OHM J
RH506	24011101	CHIP, METAL FILM, 1/20W 100 OHM J
RH507	24011101	CHIP, METAL FILM, 1/20W 100 OHM J
RH508	24011101	CHIP, METAL FILM, 1/20W 100 OHM J
RH509	24011101	CHIP, METAL FILM, 1/20W 100 OHM J
RH521	24011911	METAL FILM CHIP 1/20W 910 J
RH522	24998103	CHIP, 1/16W 10K OHM
RH523	24998103	CHIP, 1/16W 10K OHM
RH524	24998103	CHIP, 1/16W 10K OHM
RH525	24998103	CHIP, 1/16W 10K OHM
RH526	24011822	CHIP, METAL FILM, 1/20W 8.2K OHM J
RH527	24998683	CHIP, METAL FILM, 1/16W 68K OHM D
RH528	24998103	CHIP, 1/16W 10K OHM
RH529	24011911	METAL FILM CHIP 1/20W 910 J
RH541	24011911	METAL FILM CHIP 1/20W 910 J
RH542	24998103	CHIP, 1/16W 10K OHM
RH543	24998103	CHIP, 1/16W 10K OHM
RH544	24998103	CHIP, 1/16W 10K OHM
RH545	24998103	CHIP, 1/16W 10K OHM
RH546	24011822	CHIP, METAL FILM, 1/20W 8.2K OHM J
RH547	24998683	CHIP, METAL FILM, 1/16W 68K OHM D
RH548	24998103	CHIP, 1/16W 10K OHM
RH549	24011911	METAL FILM CHIP 1/20W 910 J
RH561	24011911	METAL FILM CHIP 1/20W 910 J
RH562	24998103	CHIP, 1/16W 10K OHM
RH563	24998103	CHIP, 1/16W 10K OHM
RH564	24998103	CHIP, 1/16W 10K OHM
RH565	24998103	CHIP, 1/16W 10K OHM
RH566	24011822	CHIP, METAL FILM, 1/20W 8.2K OHM J
RH567	24998683	CHIP, METAL FILM, 1/16W 68K OHM D
RH568	24998103	CHIP, 1/16W 10K OHM
RH569	24011911	METAL FILM CHIP 1/20W 910 J
RH621	24011911	METAL FILM CHIP 1/20W 910 J
RH622	24998103	CHIP, 1/16W 10K OHM
RH623	24998103	CHIP, 1/16W 10K OHM
RH624	24998103	CHIP, 1/16W 10K OHM
RH625	24998103	CHIP, 1/16W 10K OHM
RH626	24011822	CHIP, METAL FILM, 1/20W 8.2K OHM J
RH627	24998683	CHIP, METAL FILM, 1/16W 68K OHM D
RH628	24998103	CHIP, 1/16W 10K OHM
RH629	24011911	METAL FILM CHIP 1/20W 910 J
RH641	24011911	METAL FILM CHIP 1/20W 910 J
RH642	24998103	CHIP, 1/16W 10K OHM
RH643	24998103	CHIP, 1/16W 10K OHM
RH644	24998103	CHIP, 1/16W 10K OHM
RH645	24998103	CHIP, 1/16W 10K OHM
RH646	24011822	CHIP, METAL FILM, 1/20W 8.2K OHM J
RH647	24998683	CHIP, METAL FILM, 1/16W 68K OHM D

Location No.	Parts No.	Description
RH648	24998103	CHIP, 1/16W 10K OHM
RH649	24011911	METAL FILM CHIP 1/20W 910 J
RH661	24011911	METAL FILM CHIP 1/20W 910 J
RH662	24998103	CHIP, 1/16W 10K OHM
RH663	24998103	CHIP, 1/16W 10K OHM
RH664	24998103	CHIP, 1/16W 10K OHM
RH665	24998103	CHIP, 1/16W 10K OHM
RH666	24011822	CHIP, METAL FILM, 1/20W 8.2K OHM J
RH667	24998683	CHIP, METAL FILM, 1/16W 68K OHM D
RH668	24998103	CHIP, 1/16W 10K OHM
RH669	24011911	METAL FILM CHIP 1/20W 910 J
RR15	24011680	METAL FILM CHIP 1/20W 68 J
RR16	24011680	METAL FILM CHIP 1/20W 68 J
RR17	24011680	METAL FILM CHIP 1/20W 68 J
RR52	24011102	CHIP, METAL FILM, 1/20W 1K OHM J
RR53	24011471	CHIP, METAL FILM, 1/20W 470 OHM J
RR54	24011102	CHIP, METAL FILM, 1/20W 1K OHM J
RR55	24011471	CHIP, METAL FILM, 1/20W 470 OHM J
RR56	24011102	CHIP, METAL FILM, 1/20W 1K OHM J
RR57	24011471	CHIP, METAL FILM, 1/20W 470 OHM J
RR61	24011222	CHIP, METAL FILM, 1/20W 2.2K OHM J
RR62	24011222	CHIP, METAL FILM, 1/20W 2.2K OHM J
RR63	24011222	CHIP, METAL FILM, 1/20W 2.2K OHM J
RS02	24366472	CARBON FILM, 1/6W 4.7K OHM J
RS04	24366102	CARBON FILM, 1/6W 1K OHM J
RS06	24366102	CARBON FILM, 1/6W 1K OHM J
RS07	24366103	CARBON FILM, 1/6W 10K OHM J
RS08	24366103	CARBON FILM, 1/6W 10K OHM J
RS09	24366102	CARBON FILM, 1/6W 1K OHM J
RS10	24366102	CARBON FILM, 1/6W 1K OHM J
RS12	24366103	CARBON FILM, 1/6W 10K OHM J
RS21	24366104	CARBON FILM, 1/6W 100K OHM J
RS22	24366104	CARBON FILM, 1/6W 100K OHM J
RS25	24366223	CARBON FILM, 1/6W 22K OHM J
RS26	24366223	CARBON FILM, 1/6W 22K OHM J
RS27	24366471	CARBON FILM, 1/6W 470 OHM J
RS28	24366471	CARBON FILM, 1/6W 470 OHM J
RS29	24366104	CARBON FILM, 1/6W 100K OHM J
RS30	24366104	CARBON FILM, 1/6W 100K OHM J
RS31	24366103	CARBON FILM, 1/6W 10K OHM J
RS32	24366104	CARBON FILM, 1/6W 100K OHM J
RS33	24366222	CARBON FILM, 1/6W 2.2K OHM J
RS34	24366222	CARBON FILM, 1/6W 2.2K OHM J
RS35	24366103	CARBON FILM, 1/6W 10K OHM J
RS36	24366103	CARBON FILM, 1/6W 10K OHM J
RS37	24366101	CARBON FILM, 1/6W 100 OHM J
RS40	24366101	CARBON FILM, 1/6W 100 OHM J
RS42	24366101	CARBON FILM, 1/6W 100 OHM J
RS48	24366101	CARBON FILM, 1/6W 100 OHM J
RS49	24366103	CARBON FILM, 1/6W 10K OHM J
RS51	24366103	CARBON FILM, 1/6W 10K OHM J
RS52	24366103	CARBON FILM, 1/6W 10K OHM J
RS53	24366103	CARBON FILM, 1/6W 10K OHM J
RS54	24366103	CARBON FILM, 1/6W 10K OHM J
RS120	24552821	OXIDE METAL FILM, 1/2W 820 OHM J
RS121	24011103	CHIP, METAL FILM, 1/20W 10K OHM J
RS122	24011103	CHIP, METAL FILM, 1/20W 10K OHM J
RS123	24011473	CHIP, METAL FILM, 1/20W 47K OHM J
RS124	24011103	CHIP, METAL FILM, 1/20W 10K OHM J
RS125	24011103	CHIP, METAL FILM, 1/20W 10K OHM J
RS651	24011101	CHIP, METAL FILM, 1/20W 100 OHM J
RS652	24011101	CHIP, METAL FILM, 1/20W 100 OHM J
RS659	24011103	CHIP, METAL FILM, 1/20W 10K OHM J
RS671	24000445	CHIP JUMPER, 1608TYPE
RS672	24011273	CHIP, METAL FILM, 1/20W 27K OHM J

Location No.	Parts No.	Description
RS673	24000445	CHIP JUMPER, 1608TYPE
RS674	24011273	CHIP, METAL FILM, 1/20W 27K OHM J
RS675	24011223	CHIP, METAL FILM, 1/20W 22K OHM J
RS676	24011101	CHIP, METAL FILM, 1/20W 100 OHM J
RS683	24011103	CHIP, METAL FILM, 1/20W 10K OHM J
RS685	24011103	CHIP, METAL FILM, 1/20W 10K OHM J
RV01	24366472	CARBON FILM, 1/6W 4.7K OHM J
RV03	24366101	CARBON FILM, 1/6W 100 OHM J
RV04	24366101	CARBON FILM, 1/6W 100 OHM J
RV11	24366100	CARBON FILM, 1/6W 10 OHM J
RV12	24366100	CARBON FILM, 1/6W 10 OHM J
RV13	24366100	CARBON FILM, 1/6W 10 OHM J
RV15	24366222	CARBON FILM, 1/6W 2.2K OHM J
RV20	24366750	CARBON FILM, 1/6W 75 OHM J
RV21	24366750	CARBON FILM, 1/6W 75 OHM J
RV22	24366750	CARBON FILM, 1/6W 75 OHM J
RV23	24366332	CARBON FILM, 1/6W 3.3K OHM J
RV24	24366750	CARBON FILM, 1/6W 75 OHM J
RV25	24366750	CARBON FILM, 1/6W 75 OHM J
RV26	24366750	CARBON FILM, 1/6W 75 OHM J
RV31	24011222	CHIP, METAL FILM, 1/20W 2.2K OHM J
RV31	24366332	CARBON FILM, 1/6W 3.3K OHM J
RV32	24011101	CHIP, METAL FILM, 1/20W 100 OHM J
RV32	24366750	CARBON FILM, 1/6W 75 OHM J
RV38	24011184	CHIP, METAL FILM, 1/20W 180K OHM J
RV39	24011334	CHIP, METAL FILM, 1/20W 330K OHM J
RV50	24011472	CHIP, METAL FILM, 1/20W 4.7K OHM J
RV51	24011101	CHIP, METAL FILM, 1/20W 100 OHM J
RV63	24366102	CARBON FILM, 1/6W 1K OHM J
RV64	24366750	CARBON FILM, 1/6W 75 OHM J
RV65	24366750	CARBON FILM, 1/6W 75 OHM J
RV67	24366750	CARBON FILM, 1/6W 75 OHM J
RV74	24366750	CARBON FILM, 1/6W 75 OHM J
RV81	24366472	CARBON FILM, 1/6W 4.7K OHM J
RV83	24366332	CARBON FILM, 1/6W 3.3K OHM J
RV84	24366750	CARBON FILM, 1/6W 75 OHM J
RV85	24552101	OXIDE METAL FILM, 1/2W 100 OHM J
RV89	24366680	CARBON FILM, 1/6W 68 OHM J
RV93	24366101	CARBON FILM, 1/6W 100 OHM J
RV97	24366221	CARBON FILM, 1/6W 220 OHM J
RV117	24366750	CARBON FILM, 1/6W 75 OHM J
RV118	24366750	CARBON FILM, 1/6W 75 OHM J
RV119	24366750	CARBON FILM, 1/6W 75 OHM J
RV124	24366392	CARBON FILM, 1/6W 3.9K OHM J
RV125	24366123	CARBON FILM, 1/6W 12K OHM J
RV126	24366274	CARBON FILM, 1/6W 270K OHM J
RV127	24366331	CARBON FILM, 1/6W 330 OHM J
RV128	24366472	CARBON FILM, 1/6W 4.7K OHM J
RV140	24366103	CARBON FILM, 1/6W 10K OHM J
RV141	24366302	CARBON FILM, 1/6W 3K OHM J
RV142	24366103	CARBON FILM, 1/6W 10K OHM J
RV143	24366103	CARBON FILM, 1/6W 10K OHM J
RV144	24366472	CARBON FILM, 1/6W 4.7K OHM J
RV169	24011102	CHIP, METAL FILM, 1/20W 1K OHM J
RV178	24011152	CHIP, METAL FILM, 1/20W 1.5K OHM J
RV179	24011472	CHIP, METAL FILM, 1/20W 4.7K OHM J
RV180	24011472	CHIP, METAL FILM, 1/20W 4.7K OHM J
RV181	24011101	CHIP, METAL FILM, 1/20W 100 OHM J
RV182	24011101	CHIP, METAL FILM, 1/20W 100 OHM J
RV183	24011101	CHIP, METAL FILM, 1/20W 100 OHM J
RV184	24011182	CHIP, METAL FILM, 1/20W 1.8K OHM J
RV185	24011182	CHIP, METAL FILM, 1/20W 1.8K OHM J
RV186	24011182	CHIP, METAL FILM, 1/20W 1.8K OHM J
RW10	24011102	CHIP, METAL FILM, 1/20W 1K OHM J
RW12	24011102	CHIP, METAL FILM, 1/20W 1K OHM J

Location No.	Parts No.	Description
RW30	24011102	CHIP, METAL FILM, 1/20W 1K OHM J
RW31	24011102	CHIP, METAL FILM, 1/20W 1K OHM J
RW32	24011102	CHIP, METAL FILM, 1/20W 1K OHM J
RW40	24366182	CARBON FILM, 1/6W 1.8K OHM J
RW45	24366103	CARBON FILM, 1/6W 10K OHM J
RX11	24011221	CHIP, METAL FILM, 1/20W 220 OHM J
RX12	24011221	CHIP, METAL FILM, 1/20W 220 OHM J
RY80	24366331	CARBON FILM, 1/6W 330 OHM J
RY81	24366101	CARBON FILM, 1/6W 100 OHM J
RY82	24366102	CARBON FILM, 1/6W 1K OHM J
RY87	24366100	CARBON FILM, 1/6W 10 OHM J

**COILS & TRANSFORMERS**

L101	23289845	COIL, PEAKING 68.00MMHJ COLTRF4680AT
L103	23289844	COIL, PEAKING, TRF4470AT
L111	23289845	COIL, PEAKING 68.00MMHJ COLTRF4680AT
L113	23289842	COIL, PEAKING, TRF4220AT
L115	23103852	COIL, FILTER, TEM2028AH
L121	23238562	COIL, PEAKING, TRF4109AJ
L122	23238562	COIL, PEAKING, TRF4109AJ
L301	23237975	COIL, PEAKING, TRF4101AC
L302	23248073	COIL, CHOKE, TLN3299D
L303	23248073	COIL, CHOKE, TLN3299D
L304	23103859	COIL, CHOKE, TEM2011
L305	23103775	COIL, FERRITE CHOKE, TEM2014
L401	23289560	COIL, PEAKING, TRF4560AF
L402	23103880	COIL, CHOKE, TEM2011Y
△ L403	23248248	COIL, CHOKE, TLN3500AH
L404	23248191	COIL, CHOKE, TLN3351AD
L405	23103775	COIL, FERRITE CHOKE, TEM2014
L406	23103775	COIL, FERRITE CHOKE, TEM2014
L407	23248259	COIL, CHOKE 12X18H 6.8MMH, TLN3505AF (43H72)
L410	23289120	COIL, PEAKING, TRF4120AF
△ L441	23233995	COIL, LINEARITY, TLN2215AG
L450	23289101	COIL, PEAKING, TRF4101AF
△ L462	23231325	COIL, DEFLECTION YOKE, TDY707PS
△ L463	23231325	COIL, DEFLECTION YOKE, TDY707PS
△ L464	23231325	COIL, DEFLECTION YOKE, TDY707PS
L472	23102457	VM COIL, 29.1VM4T3PLEAD MAG-1102
L473	23102457	VM COIL, 29.1VM4T3PLEAD MAG-1102
L474	23102457	VM COIL, 29.1VM4T3PLEAD MAG-1102
L502	23289120	COIL, PEAKING, TRF4120AF
L503	23289120	COIL, PEAKING, TRF4120AF
L510	23103845	COIL, COMMONMODE, TEM2030AY
L511	23103845	COIL, COMMONMODE, TEM2030AY
L701	23237987	COIL, PEAKING, TRF4100AC
L702	23261974	COIL, FERRITE BEAD, HC5-035
L704	23103859	COIL, CHOKE, TEM2011
L705	23103859	COIL, CHOKE, TEM2011
L764	23103859	COIL, CHOKE, TEM2011
L765	23103859	COIL, CHOKE, TEM2011
L766	23261974	COIL, FERRITE BEAD, HC5-035
L769	23237987	COIL, PEAKING, TRF4100AC
L780	23237987	COIL, PEAKING, TRF4100AC
L781	23103859	COIL, CHOKE, TEM2011
L782	23103859	COIL, CHOKE, TEM2011
L783	23261974	COIL, FERRITE BEAD, HC5-035
L851	23103880	COIL, CHOKE, TEM2011Y
L852	23103880	COIL, CHOKE, TEM2011Y
L861	23103880	COIL, CHOKE, TEM2011Y
L862	23103880	COIL, CHOKE, TEM2011Y
L881	23103880	COIL, CHOKE, TEM2011Y
L882	23103880	COIL, CHOKE, TEM2011Y
L885	23248073	COIL, CHOKE, TLN3299D

Location No.	Parts No.	Description
L888	23103880	COIL, CHOKE, TEM2011Y
L889	23103880	COIL, CHOKE, TEM2011Y
L891	23103880	COIL, CHOKE, TEM2011Y
L892	23103880	COIL, CHOKE, TEM2011Y
L893	23103880	COIL, CHOKE, TEM2011Y
L894	23103880	COIL, CHOKE, TEM2011Y
L895	23248247	COIL, CHOKE, TLN3499AH
L896	23248247	COIL, CHOKE, TLN3499AH
L897	23248087	COIL, CHOKE, TLN3312D
L898	23248087	COIL, CHOKE, TLN3312D
L902	23289100	COIL, PEAKING, TRF4100AF
L903	23289101	COIL, PEAKING, TRF4101AF
L911	23237987	COIL, PEAKING, TRF4100AC
L912	23289101	COIL, PEAKING, TRF4101AF
L913	23289100	COIL, PEAKING, TRF4100AF
L915	23289100	COIL, PEAKING, TRF4100AF
L922	23289101	COIL, PEAKING, TRF4101AF
L923	23289150	COIL, PEAKING, TRF4150AF
L925	23289100	COIL, PEAKING, TRF4100AF
L961	23238714	COIL, PEAKING, TRF4100AJ
L962	23289100	COIL, PEAKING, TRF4100AF
L7701	23103859	COIL, CHOKE, TEM2011
L7702	23103859	COIL, CHOKE, TEM2011
L7703	23103859	COIL, CHOKE, TEM2011
L7704	23103859	COIL, CHOKE, TEM2011
L7705	23103859	COIL, CHOKE, TEM2011
L7706	23103859	COIL, CHOKE, TEM2011
L7708	23103859	COIL, CHOKE, TEM2011
L7709	23103859	COIL, CHOKE, TEM2011
L7710	23248195	COIL, CHOKE, TLN3441AT
L7711	23248195	COIL, CHOKE, TLN3441AT
L7712	23248031	COIL, CHOKE, TLN3274D
L7713	23248031	COIL, CHOKE, TLN3274D
LH001	23103864	FILTER, TEM2103T
LH002	23103864	FILTER, TEM2103T
LH003	23103859	COIL, CHOKE, TEM2011
LH004	23103859	COIL, CHOKE, TEM2011
LH005	23103859	COIL, CHOKE, TEM2011
LH009	23103795	IMPEDER, MMZ2012S301A
LH010	23103795	IMPEDER, MMZ2012S301A
LH012	23103859	COIL, CHOKE, TEM2011
LH061	23103864	FILTER, TEM2103T
LH062	23103864	FILTER, TEM2103T
LH063	23103864	FILTER, TEM2103T
LH064	23103864	FILTER, TEM2103T
LH065	23103864	FILTER, TEM2103T
LH066	23103864	FILTER, TEM2103T
LH067	23103864	FILTER, TEM2103T
LH122	23103864	FILTER, TEM2103T
LH124	23103864	FILTER, TEM2103T
LH125	23103864	FILTER, TEM2103T
LH126	23103864	FILTER, TEM2103T
LH301	23103859	COIL, CHOKE, TEM2011 (43H72)
LH302	23103859	COIL, CHOKE, TEM2011 (43H72)
LH401	23245830	COIL, TRF4100CB (43H72)
LH402	23103864	FILTER, TEM2103T (43H72)
LH403	23103864	FILTER, TEM2103T (43H72)
LH404	23103864	FILTER, TEM2103T (43H72)
LH405	23103864	FILTER, TEM2103T (43H72)
LH411	23103864	FILTER, TEM2103T (43H72)
LH521	23289102	COIL, PEAKING, TRF4102AF
LH522	23289471	COIL, PEAKING-470MMHJ COLTRF4471AF
LH541	23289102	COIL, PEAKING, TRF4102AF
LH542	23289471	COIL, PEAKING-470MMHJ COLTRF4471AF
LH561	23289102	COIL, PEAKING, TRF4102AF

Location No.	Parts No.	Description
LH562	23289471	COIL, PEAKING-470MMHJ COLTRF4471AF
LH621	23289102	COIL, PEAKING, TRF4102AF
LH622	23289471	COIL, PEAKING-470MMHJ COLTRF4471AF
LH641	23289102	COIL, PEAKING, TRF4102AF
LH642	23289471	COIL, PEAKING-470MMHJ COLTRF4471AF
LH661	23289102	COIL, PEAKING, TRF4102AF
LH662	23289471	COIL, PEAKING-470MMHJ COLTRF4471AF
LH800	23103795	IMPEDER, MMZ2012S301A
LV05	23289560	COIL, PEAKING, TRF4560AF
LV06	23289560	COIL, PEAKING, TRF4560AF
LV07	23289100	COIL, PEAKING, TRF4100AF
LV10	23289100	COIL, PEAKING, TRF4100AF
LV13	23289100	COIL, PEAKING, TRF4100AF
LV14	23289100	COIL, PEAKING, TRF4100AF
LV20	23238705	COIL, PEAKING, TRF4560AJ
LY22	23103852	COIL, FILTER, TEM2028AH
T400	23224364	TRANSFORMER, FOCUS, TLN2168AH
T401	23224371	TRANSFORMER, HORIZ DRIVE, TLN1080AH
△ T461	23236742	TRANSFORMER, FBT, TFB3092AD
T461A	23192961	ANODE CAP ASSY, TCC5605AU
T801	23211698	COIL, LINE FILTER, TRF3218AK
T802	23211729	COIL, LINE FILTER, TRF3232AQ
T840	23217530	TRANSFORMER, POWER EI28 9.1V, TPW1570AT
T862	23217467	TRANSFORMER, CONVERTER, TPW3450AS
<b>SEMICONDUCTORS</b>		
Q151	23205123	TRANSISTOR, 2SA933ASQ
Q152	23114528	TRANSISTOR, 2SC1740S
Q171	23205057	TRANSISTOR, KTC3875Y
Q172	23205057	TRANSISTOR, KTC3875Y
Q201	23205057	TRANSISTOR, KTC3875Y
Q2103	23205057	TRANSISTOR, KTC3875Y
Q220	23114756	TRANSISTOR, 2SC2482
Q221	23114756	TRANSISTOR, 2SC2482
Q301	23319787	IC, LA7833S
Q301B	70391355	SCREW, 3X8MM
Q302	23205054	TRANSISTOR, KTA1504Y
Q305	23904896	IC, JLC1562BF
Q321	70119059	IC, OP AMP, TA75902P(J)
Q322	23905266	IC, TA8859CP
Q323	23314965	TRANSISTOR, KTC3198 Y
Q324	70119059	IC, OP AMP, TA75902P(J)
Q325	23314965	TRANSISTOR, KTC3198 Y
Q326	23314962	TRANSISTOR, KTA1266 Y
Q327	23314965	TRANSISTOR, KTC3198 Y
Q328	23114462	TRANSISTOR, RN1202
Q329	23114461	TRANSISTOR, RN1203
Q400	23205079	TRANSISTOR, 2SC4686A
Q401	23314862	TRANSISTOR, FET, 2SK941
Q402	23314962	TRANSISTOR, KTA1266 Y
Q403	23314965	TRANSISTOR, KTC3198 Y
Q404	23205149	TRANSISTOR, 2SC5859(FA)
Q404B	72471082	SCREW, 3X10MM
Q404D	23850638	INSULATOR, TRANSISTOR, AC263
Q405	23114437	TRANSISTOR, 2SC752GTM-Y
Q406	70128158	IC, BA10393
Q407	23319808	IC, M5218AP
Q408	23205031	TRANSISTOR, FET, 2SK2920
Q409	23314965	TRANSISTOR, KTC3198 Y
Q410	23319203	IC, MC7812CT
Q420	23316816	IC, LA7860
Q421	23114437	TRANSISTOR, 2SC752GTM-Y
Q431	70114402	TRANSISTOR, 2SC3437-Y
Q432	70114402	TRANSISTOR, 2SC3437-Y

Location No.	Parts No.	Description
Q434	70114402	TRANSISTOR, 2SC3437-Y
Q435	70114402	TRANSISTOR, 2SC3437-Y
Q436	23205057	TRANSISTOR, KTC3875Y
Q437	23000370	IC, TA1318N
Q438	23318981	IC, MC14053BF
Q510	23009132	IC, TA1360N
Q520	23205123	TRANSISTOR, 2SA933ASQ
Q521	23205123	TRANSISTOR, 2SA933ASQ
Q522	23205123	TRANSISTOR, 2SA933ASQ
Q523	23205057	TRANSISTOR, KTC3875Y
Q524	23114502	TRANSISTOR, RN1401
Q525	23114502	TRANSISTOR, RN1401
Q526	23114502	TRANSISTOR, RN1401
Q527	23205054	TRANSISTOR, KTA1504Y
Q528	23205054	TRANSISTOR, KTA1504Y
Q529	23205054	TRANSISTOR, KTA1504Y
Q601	23000269	IC, TA8216H
Q601B	70391356	SCREW, BITTB3X10 SZN
Q612	23205054	TRANSISTOR, KTA1504Y
Q661	70114396	TRANSISTOR, 2SC3326B
Q662	70114396	TRANSISTOR, 2SC3326B
Q663	23906597	IC, BA4558F
Q664	23114493	TRANSISTOR, RN2404
Q681	70114396	TRANSISTOR, 2SC3326B
Q682	70114396	TRANSISTOR, 2SC3326B
Q683	23205057	TRANSISTOR, KTC3875Y
Q706	23114528	TRANSISTOR, 2SC1740S
Q707	23114437	TRANSISTOR, 2SC752GTM-Y
Q709	23114528	TRANSISTOR, 2SC1740S
Q710	23205123	TRANSISTOR, 2SA933ASQ
Q711	23314909	TRANSISTOR, 2SA1837
Q711B	23712306	SCREW, PP3X.5X6SZN
Q712	23314912	TRANSISTOR, 2SC4793
Q712B	23712306	SCREW, PP3X.5X6SZN
Q719	23114528	TRANSISTOR, 2SC1740S
Q720	23114528	TRANSISTOR, 2SC1740S
Q751	23905094	IC, STK392-110
Q752	23905094	IC, STK392-110
Q760	23205123	TRANSISTOR, 2SA933ASQ
Q761	23314909	TRANSISTOR, 2SA1837
Q761B	23712306	SCREW, PP3X.5X6SZN
Q764	23319720	IC, TC74HC14AF
Q765	23205057	TRANSISTOR, KTC3875Y
Q766	23205057	TRANSISTOR, KTC3875Y
Q767	23904442	IC, C-MOS QUAD BILAT-SW. SOP14 TC74HC4066AF
Q769	23114528	TRANSISTOR, 2SC1740S
Q770	23904524	IC, AN7812 (43H72)
Q771	23314912	TRANSISTOR, 2SC4793
Q771	23319267	IC, AN79M12F (43H72)
Q771B	23712306	SCREW, PP3X.5X6SZN
Q772	23205054	TRANSISTOR, KTA1504Y
Q773	23205057	TRANSISTOR, KTC3875Y
Q776	23205057	TRANSISTOR, KTC3875Y
Q777	23205054	TRANSISTOR, KTA1504Y
Q778	23205057	TRANSISTOR, KTC3875Y
Q779	23114528	TRANSISTOR, 2SC1740S
Q779	23205057	TRANSISTOR, KTC3875Y
Q780	23205054	TRANSISTOR, KTA1504Y
Q781	23114528	TRANSISTOR, 2SC1740S
Q781	23205057	TRANSISTOR, KTC3875Y
Q782	23205123	TRANSISTOR, 2SA933ASQ
Q782	23318840	IC, AN79M05F
Q783	23114528	TRANSISTOR, 2SC1740S
Q783	23205037	TRANSISTOR, 2SJ512 -250V,-5A,30W

Location No.	Parts No.	Description
Q784	23314909	TRANSISTOR, 2SA1837
Q784B	23712306	SCREW, PP3X.5X6SZN
Q785	23314912	TRANSISTOR, 2SC4793
Q785B	23712306	SCREW, PP3X.5X6SZN
Q788	23205057	TRANSISTOR, KTC3875Y
Q792	23906429	IC, TC74HC123AF
Q793	23205031	TRANSISTOR, FET, 2SK2920
Q796	23205057	TRANSISTOR, KTC3875Y
Q796	23314204	TRANSISTOR, 2SC2412K,Q
Q797	23906164	IC, TA75S393F
Q798	23318537	IC, TC4S66F
Q799	23318537	IC, TC4S66F
Q801	23135015	IC, STR-Z4369
Q801B	23476828	BRACKET IC MOUNTING, TMX LOCAL CF35F50
Q830	23904163	IC, +9V 2% REG. IO=1.5A TO220FP SI-3090CA
Q831	23905976	IC, PQ05RD11
Q832	23905770	IC, +3V 2.5% REG. IO=2A TO220FP PQ3RF23
Q840	23905976	IC, PQ05RD11
Q843	23314965	TRANSISTOR, KTC3198 Y
Q862	23000823	IC, PHOTO COUPLER, TLP421F(GR)
Q901	23314971	TRANSISTOR, 2SC5360(FA)
Q902	23114433	TRANSISTOR, 2SC1815-Y
Q911	23314971	TRANSISTOR, 2SC5360(FA)
Q912	23114433	TRANSISTOR, 2SC1815-Y
Q913	23114735	TRANSISTOR, 2SA102-Y(C)
Q914	23114433	TRANSISTOR, 2SC1815-Y
Q915	23114433	TRANSISTOR, 2SC1815-Y
Q916	23114433	TRANSISTOR, 2SC1815-Y
Q917	23114433	TRANSISTOR, 2SC1815-Y
Q918	23114433	TRANSISTOR, 2SC1815-Y
Q919	23114433	TRANSISTOR, 2SC1815-Y
Q920	23114433	TRANSISTOR, 2SC1815-Y
Q921	23314971	TRANSISTOR, 2SC5360(FA)
Q922	23114433	TRANSISTOR, 2SC1815-Y
Q961	23114433	TRANSISTOR, 2SC1815-Y
Q962	23114735	TRANSISTOR, 2SA102-Y(C)
Q963	23114433	TRANSISTOR, 2SC1815-Y
Q964	23114425	TRANSISTOR, 2SA1015-Y(TE
Q965	23114433	TRANSISTOR, 2SC1815-Y
Q966	23114425	TRANSISTOR, 2SA1015-Y(TE
Q968	23114433	TRANSISTOR, 2SC1815-Y
Q971	23114425	TRANSISTOR, 2SA1015-Y(TE
Q972	23114425	TRANSISTOR, 2SA1015-Y(TE
Q973	23114735	TRANSISTOR, 2SA102-Y(C)
Q974	23114433	TRANSISTOR, 2SC1815-Y
Q975	23114437	TRANSISTOR, 2SC752GTM-Y
QA01	23009182	IC, MCU 1CHIP 16BIT 4M 64, MN102H85KFC
QA02	23906642	IC, AT24C64-10PC
QA21	23205057	TRANSISTOR, KTC3875Y
QA70	23319935	IC, MM1096BS
QA71	23205057	TRANSISTOR, KTC3875Y
QA72	23205057	TRANSISTOR, KTC3875Y
QA80	23906295	IC, UPC29M33HB
QA81	70200563	IC, RESET VS=2.9V PST9129
QB01	23114528	TRANSISTOR, 2SC1740S
QB03	23114498	TRANSISTOR, RN1405
QB05	23205057	TRANSISTOR, KTC3875Y
QB14	23205057	TRANSISTOR, KTC3875Y
QB15	23205057	TRANSISTOR, KTC3875Y
QB30	23314965	TRANSISTOR, KTC3198 Y
QB55	23205057	TRANSISTOR, KTC3875Y



Location No.	Parts No.	Description
QB61	70114402	TRANSISTOR, 2SC3437-Y
QB81	70114396	TRANSISTOR, 2SC3326B
QB82	70114396	TRANSISTOR, 2SC3326B
QB83	23314163	TRANSISTOR, 2SA1162-Y
QB84	23205057	TRANSISTOR, KTC3875Y
QB85	23205054	TRANSISTOR, KTA1504Y
QB86	23205054	TRANSISTOR, KTA1504Y
QB87	23205054	TRANSISTOR, KTA1504Y
QB88	23205054	TRANSISTOR, KTA1504Y
QD01	23000381	IC, CXA2021S
QD41	23000189	IC, TA2136N
QD101	23904935	IC,TA1217AN
QH001	23000380	IC, TC190C060AF-301(Z)
QH004	23319595	IC, TC74HC244AF
QH005	23905013	IC, TLC2932IPW
QH006	23906908	IC, MC33078D
QH173	23905666	IC, AT24C1610PC
QH174	23905666	IC, AT24C1610PC (43H72)
QH301	23358557	OPT DEVICE, AM. PHOTOSENSOR AM-30-24CA (43H72)
QH301	23358557	OPT DEVICE, AM. PHOTOSENSOR AM-30-24CA (43H72)
QH301	23358557	OPT DEVICE, AM. PHOTOSENSOR AM-30-24CA (43H72)
QH301	23358557	OPT DEVICE, AM. PHOTOSENSOR AM-30-24CA (43H72)
QH305	23906585	IC, QUAD OP-AMP DMP14 14P NJM2058M (43H72)
QH306	23906585	IC, QUAD OP-AMP DMP14 14P NJM2058M (43H72)
QH307	23906585	IC, QUAD OP-AMP DMP14 14P NJM2058M (43H72)
QH308	23906429	IC, TC74HC123AF (43H72)
QH309	23906429	IC, TC74HC123AF (43H72)
QH401	23009185	IC, MCU 1CHIP 8BIT 8M 42P, 8700CPN-3R14 (43H72)
QH402	70119743	IC, PST523D (43H72)
QH404	23318977	IC, MC14052BF
QH405	23319595	IC, TC74HC244AF (43H72)
QH406	23205045	TRANSISTOR, 2SA1037AKQ (43H72)
QH501	23009177	IC, D/A CONVERTER 6CH IN
QH520	23906909	IC, MC33079D
QH540	23906909	IC, MC33079D
QH560	23906909	IC, MC33079D
QR14	23205054	TRANSISTOR, KTA1504Y
QR15	23205054	TRANSISTOR, KTA1504Y
QR16	23205054	TRANSISTOR, KTA1504Y
QS01	23114623	TRANSISTOR, 2SC2878-A(TEM)
QS11	23114623	TRANSISTOR, 2SC2878-A(TEM)
QS12	23114466	TRANSISTOR, RN2204
QS13	23314965	TRANSISTOR, KTC3198 Y
QS14	23314965	TRANSISTOR, KTC3198 Y
QS107	23904896	IC, JLC1562BF
QS108	23205057	TRANSISTOR, KTC3875Y
QS120	23906597	IC, BA4558F
QV01	23905539	IC, TA8851CN
QV10	23114528	TRANSISTOR, 2SC1740S
QV20	23114460	TRANSISTOR, RN1204
QV21	23114528	TRANSISTOR, 2SC1740S
QV22	23205123	TRANSISTOR, 2SA933ASQ
QV23	23205123	TRANSISTOR, 2SA933ASQ
QV28	23114461	TRANSISTOR, RN1203
QV30	23905590	IC, M52055FP
QV31	23205057	TRANSISTOR, KTC3875Y
QV37	23205054	TRANSISTOR, KTA1504Y

Location No.	Parts No.	Description
QV38	23205054	TRANSISTOR, KTA1504Y
QV39	23205054	TRANSISTOR, KTA1504Y
QV48	23114433	TRANSISTOR, 2SC1815-Y
QV49	23114433	TRANSISTOR, 2SC1815-Y
QV61	23205054	TRANSISTOR, KTA1504Y
QW04	23205057	TRANSISTOR, KTC3875Y
QW05	23205057	TRANSISTOR, KTC3875Y
QW08	23205057	TRANSISTOR, KTC3875Y
QW10	23205057	TRANSISTOR, KTC3875Y
QW11	23205057	TRANSISTOR, KTC3875Y
QW17	23114463	TRANSISTOR, RN1201
QY260	23114528	TRANSISTOR, 2SC1740S
D101	23316755	DIODE, ZENER, MTZJ33C
D215	23118041	DIODE, MA111
D216	23118041	DIODE, MA111
D217	23118041	DIODE, MA111
D218	23118041	DIODE, MA111
D219	23118041	DIODE, MA111
D220	23118041	DIODE, MA111
D301	23118094	DIODE, EU2A
D302	23316794	DIODE, SC570A
D303	23118822	DIODE, ERB12-02
D304	23118822	DIODE, ERB12-02
D305	23118041	DIODE, MA111
D306	23316574	DIODE, ZENER CHIP VZ6.05-6.36V MA8062-M
D311	23316682	DIODE, ZENER, MTZJ7.5C
D312	23316732	DIODE, ZENER, MTZJ18C
D313	23118859	DIODE, 1SS133
D314	23118859	DIODE, 1SS133
D315	23118859	DIODE, 1SS133
D401	23118094	DIODE, EU2A
D402	23118094	DIODE, EU2A
D403	23316731	DIODE, ZENER, MTZJ18B
D404	23316254	DIODE, ERC06-15
D405	23118094	DIODE, EU2A
D406	23118094	DIODE, EU2A
D407	23316731	DIODE, ZENER, MTZJ18B
D408	23115910	DIODE, S5295G
D409	23118094	DIODE, EU2A
D411	23118094	DIODE, EU2A
D412	23118041	DIODE, MA111
D413	23118041	DIODE, MA111
D413	23118707	DIODE, RP-1H
D414	23118041	DIODE, MA111
D414	23118707	DIODE, RP-1H
D416	23118041	DIODE, MA111
D417	23316591	DIODE, ZENER, MA8100-M
D418	23316591	DIODE, ZENER, MA8100-M
D419	23316571	DIODE, ZENER CHIP VZ5.48-5.76V MA8056-M
D461	23224366	DIODE, FMQ-3GU
△ D482	23115774	DIODE, ZENER, RD6.2E(FA-1)
D520	23316647	DIODE, ZENER, MTZJ2.0B
D521	23118041	DIODE, MA111
D522	23118041	DIODE, MA111
D523	23118041	DIODE, MA111
D531	23316573	DIODE, ZENER, MA8062-L
D532	23118822	DIODE, ERB12-02
D533	23316586	DIODE, ZENER, MA8082-H
D534	23316792	DIODE, SC215
D535	23316591	DIODE, ZENER, MA8100-M
D601	23118041	DIODE, MA111
D602	23118041	DIODE, MA111
D603	23118041	DIODE, MA111

Location No.	Parts No.	Description
D604	23118041	DIODE, MA111
D607	23316616	DIODE, ZENER CHIP 21.45-22.55V MA8220-M
D608	23316616	DIODE, ZENER CHIP 21.45-22.55V MA8220-M
D611	23118041	DIODE, MA111
D612	23118041	DIODE, MA111
D661	23316570	DIODE, ZENER CHIP VZ5.30-5.58V MA8056-L
D704	23118859	DIODE, 1SS133
D705	23118859	DIODE, 1SS133
D715	23118859	DIODE, 1SS133
D721	23118859	DIODE, 1SS133
D761	23118859	DIODE, 1SS133
D762	23118859	DIODE, 1SS133
D763	23118859	DIODE, 1SS133
D764	23118859	DIODE, 1SS133
D781	23118859	DIODE, 1SS133
D782	23118859	DIODE, 1SS133
D783	23118859	DIODE, 1SS133
D784	23118859	DIODE, 1SS133
D801	23316784	DIODE, RBV1506, LF-A
D840	23316962	DIODE, S1WBA20
D845	23118859	DIODE, 1SS133
D851	23357215	DIODE, D4SBS6
D852	23316714	DIODE, RL2Z
D853	23316714	DIODE, RL2Z
D854	23316399	DIODE, EL1Z
D855	23316399	DIODE, EL1Z
D858	23118859	DIODE, 1SS133
D859	23118859	DIODE, 1SS133
D862	23118094	DIODE, EU2A
D863	23118859	DIODE, 1SS133
D864	23118094	DIODE, EU2A
D873	23316747	DIODE, ZENER, MTZJ27C
D875	23316688	DIODE, ZENER, MTZJ9.1C
D876	23316759	DIODE, ZENER, MTZ J 36C
D877	23316747	DIODE, ZENER, MTZJ27C
D878	23316686	DIODE, ZENER, MTZJ9.1A
D884	23357217	DIODE, D4SBL40
D885	23357216	DIODE, D4SBL20U
D891	23357214	DIODE, D4SBS4
D892	23316768	DIODE, FMB-26L
D899	24019485	VARISTOR, TNR10V431K
D901	23118859	DIODE, 1SS133
D902	23118859	DIODE, 1SS133
D911	23118859	DIODE, 1SS133
D912	23118859	DIODE, 1SS133
D916	23115337	DIODE, 1S1834
D921	23118859	DIODE, 1SS133
D922	23118859	DIODE, 1SS133
D924	23118859	DIODE, 1SS133
D925	23118859	DIODE, 1SS133
D931	23118859	DIODE, 1SS133
D932	23118859	DIODE, 1SS133
D933	23118859	DIODE, 1SS133
D934	23118859	DIODE, 1SS133
D936	23115337	DIODE, 1S1834
D941	23118859	DIODE, 1SS133
D942	23118859	DIODE, 1SS133
D943	23118859	DIODE, 1SS133
D946	23118859	DIODE, 1SS133
D948	23118859	DIODE, 1SS133
D962	23118859	DIODE, 1SS133
D963	23118859	DIODE, 1SS133
D964	23118859	DIODE, 1SS133

Location No.	Parts No.	Description
D965	23118859	DIODE, 1SS133
D966	23118859	DIODE, 1SS133
D967	23115337	DIODE, 1S1834
D7702	23118859	DIODE, 1SS133
D7705	23118041	DIODE, MA111
D7706	23118041	DIODE, MA111
D7707	23118041	DIODE, MA111
D7708	23118041	DIODE, MA111
D7709	23118538	DIODE, ZENER, RD6.2ES
D7715	23118041	DIODE, MA111
D7716	23118041	DIODE, MA111
D7717	23118538	DIODE, ZENER, RD6.2ES
D7718	23118538	DIODE, ZENER, RD6.2ES
D7719	23118538	DIODE, ZENER, RD6.2ES
D7733	23118275	DIODE, ZENER, RD18MB2
D7734	23118275	DIODE, ZENER, RD18MB2
D7738	23118041	DIODE, MA111
D7739	23118041	DIODE, MA111
D7740	23118041	DIODE, MA111
D7741	23118041	DIODE, MA111
D7742	23118041	DIODE, MA111
D7743	23118041	DIODE, MA111
D7745	23118041	DIODE, MA111
D7746	23118041	DIODE, MA111
D7747	23118041	DIODE, MA111
D7748	23118041	DIODE, MA111
D7749	23118041	DIODE, MA111
D7760	23118041	DIODE, MA111
D7806	23118041	DIODE, MA111
D7807	23316402	DIODE, RL4Z
D7808	23316766	DIODE, RU2YX
D7809	23118041	DIODE, MA111
DA02	23316574	DIODE, ZENER CHIP VZ6.05-6.36V MA8062-M
DA11	23118859	DIODE, 1SS133
DA23	23118041	DIODE, MA111
DA43	23118041	DIODE, MA111
DA44	23118041	DIODE, MA111
DA45	23118041	DIODE, MA111
DA46	23118041	DIODE, MA111
DA70	23118041	DIODE, MA111
DB01	23358564	DIODE, LED, SLR-56VC3FPQ
DB03	23358522	DIODE, LED, SIR-56SB3F
DB30	23118041	DIODE, MA111
DB31	23118041	DIODE, MA111
DB61	23118041	DIODE, MA111
DH001	23316675	DIODE, ZENER, MTZJ6.2B
DH002	23316675	DIODE, ZENER, MTZJ6.2B
DH003	23316675	DIODE, ZENER, MTZJ6.2B
DH301	23316672	DIODE, ZENER, MTZJ5.6B
DH301	23316672	DIODE, ZENER, MTZJ5.6B
DH301	23316672	DIODE, ZENER, MTZJ5.6B
DH301	23316672	DIODE, ZENER, MTZJ5.6B
DH301	23316672	DIODE, ZENER, MTZJ5.6B
DH301	23316672	DIODE, ZENER, MTZJ5.6B
DH302	23316672	DIODE, ZENER, MTZJ5.6B
DH303	23316672	DIODE, ZENER, MTZJ5.6B
DH304	23316672	DIODE, ZENER, MTZJ5.6B
DH305	23316672	DIODE, ZENER, MTZJ5.6B
DH306	23316672	DIODE, ZENER, MTZJ5.6B
DH307	23316672	DIODE, ZENER, MTZJ5.6B
DH308	23316672	DIODE, ZENER, MTZJ5.6B
DH309	23118859	DIODE, 1SS133
DH310	23118859	DIODE, 1SS133
DH311	23118859	DIODE, 1SS133
DH312	23118859	DIODE, 1SS133

Location No.	Parts No.	Description
DH313	23316666	DIODE, ZENER, MTZJ4.7B
DH314	23316666	DIODE, ZENER, MTZJ4.7B
DH315	23316666	DIODE, ZENER, MTZJ4.7B
DH316	23316666	DIODE, ZENER, MTZJ4.7B
DH401	23316574	DIODE, ZENER CHIP VZ6.05-6.36V MA8062-M
DR10	23118041	DIODE, MA111
DR11	23118041	DIODE, MA111
DR12	23118041	DIODE, MA111
DR13	23118041	DIODE, MA111
DR14	23118041	DIODE, MA111
DR15	23118041	DIODE, MA111
DS120	23316740	DIODE, ZENER VZ21.52-22.63 DO34 MTZ J 22D
DV01	23316686	DIODE, ZENER, MTZJ9.1A
DV02	23316686	DIODE, ZENER, MTZJ9.1A
DV03	23316686	DIODE, ZENER, MTZJ9.1A
DV07	23316686	DIODE, ZENER, MTZJ9.1A
DV08	23316686	DIODE, ZENER, MTZJ9.1A
DV09	23316686	DIODE, ZENER, MTZJ9.1A
DV11	23316686	DIODE, ZENER, MTZJ9.1A
DV12	23316686	DIODE, ZENER, MTZJ9.1A
DV13	23316686	DIODE, ZENER, MTZJ9.1A
DV17	23316686	DIODE, ZENER, MTZJ9.1A
DV18	23316686	DIODE, ZENER, MTZJ9.1A
DV25	23118859	DIODE, 1SS133
DV161	23316591	DIODE, ZENER, MA8100-M
DV162	23316591	DIODE, ZENER, MA8100-M
DV163	23316591	DIODE, ZENER, MA8100-M
DV164	23316591	DIODE, ZENER, MA8100-M
DV165	23316591	DIODE, ZENER, MA8100-M
DV166	23316591	DIODE, ZENER, MA8100-M
<b>MISCELLANEOUS</b>		
B224	23035412	SCREW, BTB4X12SZN
B230	23037312	SCREW, BTBW3X12SZN
B233	23035412	SCREW, BTB4X12SZN
B234	23035412	SCREW, BTB4X12SZN
B235	23035310	SCREW, BTB3X10SZN
B236	23035412	SCREW, BTB4X12SZN
BB10	23713014	CONNECTOR, BRIDGE PLUG 16P 1.5
BB11	23713013	BASE SOCKET 16P 1.5
BB20	23713014	CONNECTOR, BRIDGE PLUG 16P 1.5
BB21	23713013	BASE SOCKET 16P 1.5
BB30	23903022	CONNECTOR, BASE B-B 8P 2.5 JST
BB31	23903022	CONNECTOR, BASE B-B 8P 2.5 JST
BB300	23368627	CONNECTOR, BRIDGE B-B 8P 2.5JST 08TM-2.5FJ-E
E913	23198540	CRT EARTH ASSY, TP48E60
E928	23858634	SPACER, CRT HOLDER
E943	23198540	CRT EARTH ASSY, TP48E60
E958	23858634	SPACER, CRT HOLDER
E973	23198540	CRT EARTH ASSY, TP48E60
E988	23858634	SPACER, CRT HOLDER
F470	23144624	FUSE, AXIAL 125V 2.0A
F801	23144481	FUSE, 125V 7.0A-T U/C MINI
F801A	23165433	FUSE HOLDER, 5.2 SOC
F850	23144627	FUSE, AXIAL 125V 5.0A
F851	23144627	FUSE, AXIAL 125V 5.0A
F852	23144624	FUSE, AXIAL 125V 2.0A
F853	23144622	FUSE, AXIAL 125V 1.25A
F860	23144511	FUSE, AXIAL, 125V 4.0A
F889	23144626	FUSE, AXIAL 125V 4.0A
F890	23144625	FUSE, AXIAL 125V 3.15A
F891	23144627	FUSE, AXIAL 125V 5.0A

Location No.	Parts No.	Description
G101	24011151	CHIP, METAL FILM, 1/20W 150 OHM J
G102	24011151	CHIP, METAL FILM, 1/20W 150 OHM J
GJ01	24000445	CHIP JUMPER, 1608TYPE
GJ01	24000445	CHIP JUMPER, 1608TYPE
GJ02	24000445	CHIP JUMPER, 1608TYPE
GJ03	24000445	CHIP JUMPER, 1608TYPE
GJ05	24000445	CHIP JUMPER, 1608TYPE
GJ05	24000445	CHIP JUMPER, 1608TYPE
GJ06	24000445	CHIP JUMPER, 1608TYPE
GJ07	24000445	CHIP JUMPER, 1608TYPE
GJ11	24000445	CHIP JUMPER, 1608TYPE
GJ14	24000445	CHIP JUMPER, 1608TYPE
GJ14	24000445	CHIP JUMPER, 1608TYPE
GJ15	24000445	CHIP JUMPER, 1608TYPE
GJ15	24000445	CHIP JUMPER, 1608TYPE
GJ16	24000445	CHIP JUMPER, 1608TYPE
GJ17	24000445	CHIP JUMPER, 1608TYPE
GJ18	24000445	CHIP JUMPER, 1608TYPE
GJ19	24000445	CHIP JUMPER, 1608TYPE
GJ20	24000445	CHIP JUMPER, 1608TYPE
GJ20	24000445	CHIP JUMPER, 1608TYPE
GJ21	24000445	CHIP JUMPER, 1608TYPE
GJ21	24000445	CHIP JUMPER, 1608TYPE
GJ22	24000445	CHIP JUMPER, 1608TYPE
GJ23	24000445	CHIP JUMPER, 1608TYPE
GJ24	24000445	CHIP JUMPER, 1608TYPE
GJ25	24000445	CHIP JUMPER, 1608TYPE
GJ26	24000445	CHIP JUMPER, 1608TYPE
GJ27	24000445	CHIP JUMPER, 1608TYPE
GJ28	24000445	CHIP JUMPER, 1608TYPE
GJ30	24000445	CHIP JUMPER, 1608TYPE
GJ33	24000445	CHIP JUMPER, 1608TYPE
GJ61	24000445	CHIP JUMPER, 1608TYPE
GJ62	24000445	CHIP JUMPER, 1608TYPE
GJ63	23103237	CHIP BEAD INDUCTOR 102OHM
GJ64	24000445	CHIP JUMPER, 1608TYPE
GJ65	24000445	CHIP JUMPER, 1608TYPE
GJ66	23103237	CHIP BEAD INDUCTOR 102OHM
GJ67	24000445	CHIP JUMPER, 1608TYPE
GJ68	24000445	CHIP JUMPER, 1608TYPE
GJ69	23103237	CHIP BEAD INDUCTOR 102OHM
GJ71	24000445	CHIP JUMPER, 1608TYPE
GJ72	24000445	CHIP JUMPER, 1608TYPE
GJ73	23103237	CHIP BEAD INDUCTOR 102OHM
GJ74	24000445	CHIP JUMPER, 1608TYPE
GJ75	24000445	CHIP JUMPER, 1608TYPE
GJ76	23103237	CHIP BEAD INDUCTOR 102OHM
GJ77	24000445	CHIP JUMPER, 1608TYPE
GJ77	24000445	CHIP JUMPER, 1608TYPE
GJ78	24000445	CHIP JUMPER, 1608TYPE
GJ78	24000445	CHIP JUMPER, 1608TYPE
GJ79	23103237	CHIP BEAD INDUCTOR 102OHM
GJ80	24000445	CHIP JUMPER, 1608TYPE
GJ207	24000445	CHIP JUMPER, 1608TYPE
GJ208	24000445	CHIP JUMPER, 1608TYPE
GJ209	24000445	CHIP JUMPER, 1608TYPE
GJ210	24000445	CHIP JUMPER, 1608TYPE
GJ211	24000445	CHIP JUMPER, 1608TYPE
GJ212	24000445	CHIP JUMPER, 1608TYPE
GJA33	24000445	CHIP JUMPER, 1608TYPE
H003	23124087	ANTENNA SWITCH, BUNPAI
H003A	23740989	NUT, F-CONNECTOR 2H BS
J501	24000445	CHIP JUMPER, 1608TYPE
JX601	24000445	CHIP JUMPER, 1608TYPE
JX602	24000445	CHIP JUMPER, 1608TYPE

Location No.	Parts No.	Description
KB01	23000852	IC, REMOCON RECEIVER, PIC-37043TE2
P350	23368634	PLUG, B-B 1.5MM 25P JST-JDV JDV-PS25LB-10-1
P410	23903025	CONNECTOR, SOCKET, B-B 1.5MM 25P JST-JDV, JDV-R25LB-10-1
P540	23903040	SOCKET, B-B 2MM 56P TAIKO
P708	23902655	CONNECTOR, 15P
P709	23902655	CONNECTOR, 15P
P713	23164787	CONNECTOR, PLUG, 7P
P714	23164787	CONNECTOR, PLUG, 7P
P715	23164787	CONNECTOR, PLUG, 7P
P801	23372117	POWER CORD, U/C 125V10A HSV 5 CMC-02P 5
P802	23368013	CONNECTOR, PLUG, 2P 11.88MM W VT-JST
P900	23164563	PLUG, 3PIN MINICONNECTOR (43H72)
P900	23164563	PLUG, 3PIN MINICONNECTOR (43H72)
P900	23164563	PLUG, 3PIN MINICONNECTOR (43H72)
P900	23164563	PLUG, 3PIN MINICONNECTOR (43H72)
PH001	23367724	CONNECTOR, B-B, 15P
PH002	23367724	CONNECTOR, B-B, 15P
PV02	23365819	JACK, 1S3P
PV04	23365907	PIN(3E+1L:OFF+1R:OFF), JACK 5P
PV05	23368646	PLUG, B-B 2MM 56P TAIKO
PV06	23903040	SOCKET, B-B 2MM 56P TAIKO
S602	23145412	SWITCH, SLIDE SWITCH
SA01	23145226	SWITCH, 1C1P, PUSH
SA02	23145226	SWITCH, 1C1P, PUSH
SA03	23145226	SWITCH, 1C1P, PUSH
SA04	23145226	SWITCH, 1C1P, PUSH
SA05	23145226	SWITCH, 1C1P, PUSH
SA06	23145226	SWITCH, 1C1P, PUSH
SA07	23145226	SWITCH, 1C1P, PUSH
SA08	23145226	SWITCH, 1C1P, PUSH
SA09	23145226	SWITCH, 1C1P, PUSH
SR81	23146577	RELAY, DLS5D1-O(M)0.25W
UZ01	23148024	SCAN CONVERTER MODUL, N.H, MVPU14
△ V901A	23903148	SOCKET, ISH-44S-E ICE #5
△ V902A	23903148	SOCKET, ISH-44S-E ICE #5
△ V903A	23903148	SOCKET, ISH-44S-E ICE #5
W661	23351131	SPEAKER, SPK11390, 120X120, 8 OHM, 15W (43H72)
W661	23151232	SPEAKER, SPK-1235, 160X160, 65HZ, 8 OHM (50H72)
W662	23351131	SPEAKER, SPK11390, 120X120, 8 OHM, 15W (43H72)
W662	23151232	SPEAKER, SPK-1235, 160X160, 65HZ, 8 OHM (50H72)
X4401	23153721	CERAMIC RESONATOR, 503KHZ
X4402	23153721	CERAMIC RESONATOR, 503KHZ
XA01	23153533	CERAMIC RESONATOR, CERA RESO, TCR1082AM
XH401	23153752	CRYSTAL, 8.000 40PPM 50OHM (43H72)
△ Z401	24083013	COMPOSITE PARTS, CR-BLOCK, TPA5010AH
Z405	23140203	SPARK GAP, 2.0-3.0KV C-010, AG20PC152F-L3N
Z410	23110842	FOCUS PACK, TPA6031
Z410A	23505177	CABLE, FOCUS
Z450A	23501755	ANODE CABLE, 400LD FBT-C
△ Z801	23148734	MODULE, PROTECTOR, HIC1026A
ZH001	23103823	COIL, FILTER, TEM2027D
ZH002	23103823	COIL, FILTER, TEM2027D
ZH04	23103778	FILTER, FERRITE CORE, TFE1008
ZH121	23103823	COIL, FILTER, TEM2027D
ZH122	23103823	COIL, FILTER, TEM2027D

Location No.	Parts No.	Description
ZH141	23103823	COIL, FILTER, TEM2027D
ZH142	23103823	COIL, FILTER, TEM2027D
ZH161	23103823	COIL, FILTER, TEM2027D
ZH162	23103823	COIL, FILTER, TEM2027D
ZH408	23103823	COIL, FILTER, TEM2027D
ZH500	23103823	COIL, FILTER, TEM2027D
ZV60	23103778	FILTER, FERRITE CORE, TFE1008
<b>PC BOARD ASSEMBLIES</b>		
* E031Z	23787503	CRT-D/R BOARD, PD0080F1
* E032Z	23787504	CRT-D/G BOARD, PD0080F2
* E033Z	23787505	CRT-D/B BOARD, PD0080F3
* E034Z	23787506	SVM/R BOARD, PD0080F4
* E035Z	23787507	SVM/G BOARD, PD0080F5
* E036Z	23787508	SVM/B BOARD, PD0080F6
* E041Z	23786520	FRONT-CON BOARD, PD0224-1
* E042Z	23786530	FRONT-IN BOARD, PD0224-2
* E043Z	23786531	REM BOARD, PD0224-3
* E051Z	23786222	CONV-SEN BOARD, PD0079-1
* E052Z	23786223	CONV-SEN2 BOARD, PD0079-2
* E053Z	23786224	CONV-SEN3 BOARD, PD0079-3
* E054Z	23786225	CONV-SEN4 BOARD, PD0079-4
* U401	23787502	DPC BOARD, PD0077B
* U801	23787500	DEF/POWER BOARD, PD0074G (43H72)
* U801	23787617	DEF/POWER BOARD, PD0074H (50H72)
* U901	23787499	SIGNAL/CON BOARD, PD0073Q (43H72)
* U901	23787616	SIGNAL/CON BOARD, PD0073R (50H72)
* UD01	23786219	SRS-3D BOARD, PD0076A
* UH01	23787455	DIGI-CONV BOARD, PD0638A (43H72)
* UH01	23787618	DIGI-CONV BOARD, PD0638B (50H72)
* UV01	23787501	A/V BOARD, PD0075B
<b>PICTURE TUBE</b>		
△ V901R	23064824	OTHER BLOCK, COUPLING R 43H72 (43H72)
△ V901R	23086114	OTHER BLOCK, COUPLING R 50H72 (50H72)
△ V902G	23064825	OTHER BLOCK, COUPLING G 43H72 (43H72)
△ V902G	23086115	CRT CPLG G 50H72 (50H72)
△ V903B	23064826	OTHER BLOCK, COUPLING B 43H72 (43H72)
△ V903B	23086116	CRT CPLG B 50H72 (50H72)
<b>TUNER</b>		
H001	23321411	TUNER, TIM 181CH IIC PH SHINSEN EL967LW
HY01	23321412	TUNER, TIF 181CH IIC PH TDL EL963L
<b>ACCESSORIES</b>		
K912	23306414	REMOCON HAND UNIT IR, PJTVUSA CT-90087
Y101	23565624	OWNER'S MANUAL, ENGLISH, 42H72/50H72
Y101F	23565625	OWNER'S MANUAL, FRENCH, 42H72/50H72
<b>CABINET PARTS</b>		
A001	23411563	CABINET, WOOD CABINET SHIP (50H72)
A102	23527198	GRILLE, SPK GRILLE ASSY (43H72)
A102	23527144	GRILLE, SPK GRILLE ASSY (50H72)
A150	23411402	CABINET, LIGHT BOX (50H72)
A160	23469228	CASTER (50H72)
A175	23929314	PIECE, CLIP (50H72)
A201	23540816	COVER, BEZEL 43HX71 (43H72)
A201	23549478	COVER, BEZEL (50H72)
A202	23450428	PANEL, CONTROL PANEL ASSY (43H72)
A202	23450394	PANEL, CONTROL PANEL ASSY (50H72)
A213	23427998	DOOR, DOOR PROPER (43H72)
A213	23427974	DOOR, PROPER (50H72)
A214	23451976	PUSH CATCH, CLICK

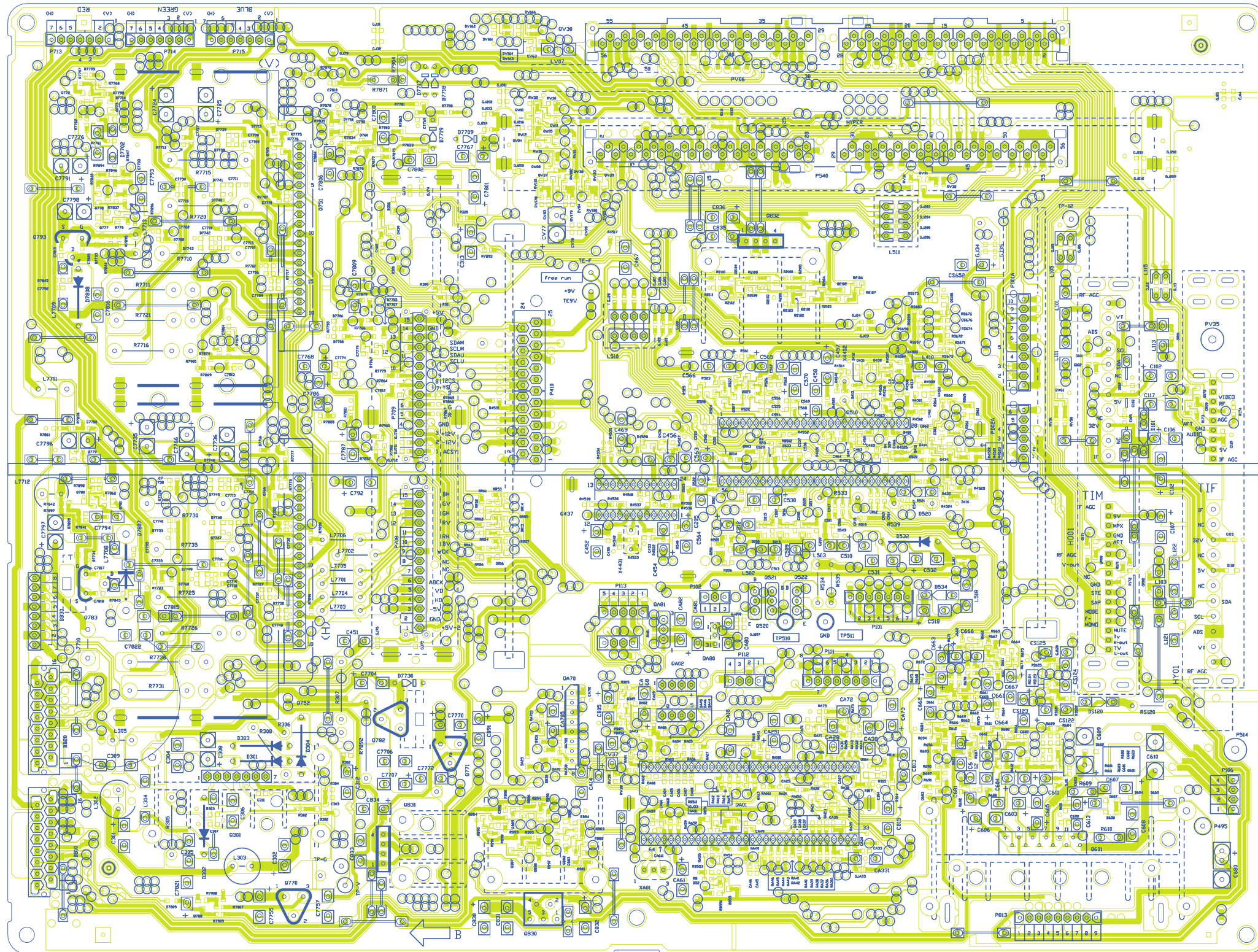
Location No.	Parts No.	Description
A224	23445546	BUTTON, CONTROL BUTTON (43H72)
A224	23445523	BUTTON, CONTROL (50H72)
A268	23540820	COVER, FRONT COVER 43H71
A420	23540817	COVER, BACK COVER 43HX71
A421	23540170	COVER, REAR BOARD 50A60
A424	23540818	COVER, BACK BOARD (43H72)
A424	23540074	COVER, BACK BOARD (50H72)
A510	23030815	WOOD SCREW PTD #6 X 3/4 TNP LOCAL
A512	23030815	WOOD SCREW PTD #6 X 3/4 TNP LOCAL
A521	23030815	WOOD SCREW PTD #6 X 3/4 TNP LOCAL
A543	72471068	SCREW, 4X12
A701	23064609	CARTON, CARTON (43H72)
A701	23525844	CARTON, CASE(HSC) (50H72)
A703	23946247	PACKING, TOP PACKING (43H72)
A703	23935847	TOP PACKING (50H72)
A708	23935848	BOTTOM PACKING (50H72)
A721	23943628	PLYETHLENE COVERING 46GM88T
K111	23405005	LENS, DELTA240A/B DELTA240A/B
K112	23405005	LENS, DELTA240A/B DELTA240A/B
K113	23405005	LENS, DELTA240A/B DELTA240A/B
K501	23430786	SCREEN, 43KK LENTICULAR SHEET, SCREEN43KK-L (43H72)
K501	23311933	SCREEN, 50KLN LENTICULAR SHEET, SCREEN50KLN (50H72)
K502	23311894	SCREEN, 43KL FRESNEL SHEET, SCREEN43KL-F (43H72)
K502	23430799	SCREEN, FRENSEL SHEET, 50KKP (50H72)
K503	23311866	SCREEN, PROTECTOR 43KL, SCR-PRO43KL (43H72)
K503	23311865	SCREEN, PROTECTOR 50KL, SCR-PRO50KL (50H72)
K601	23405042	MIRROR, 43L 43HX71, MIRROR43L (43H72)
K601	23430509	MIRROR50, HR94SC, P503DGA (50H72)

Location No.	Parts No.	Description
--------------	-----------	-------------

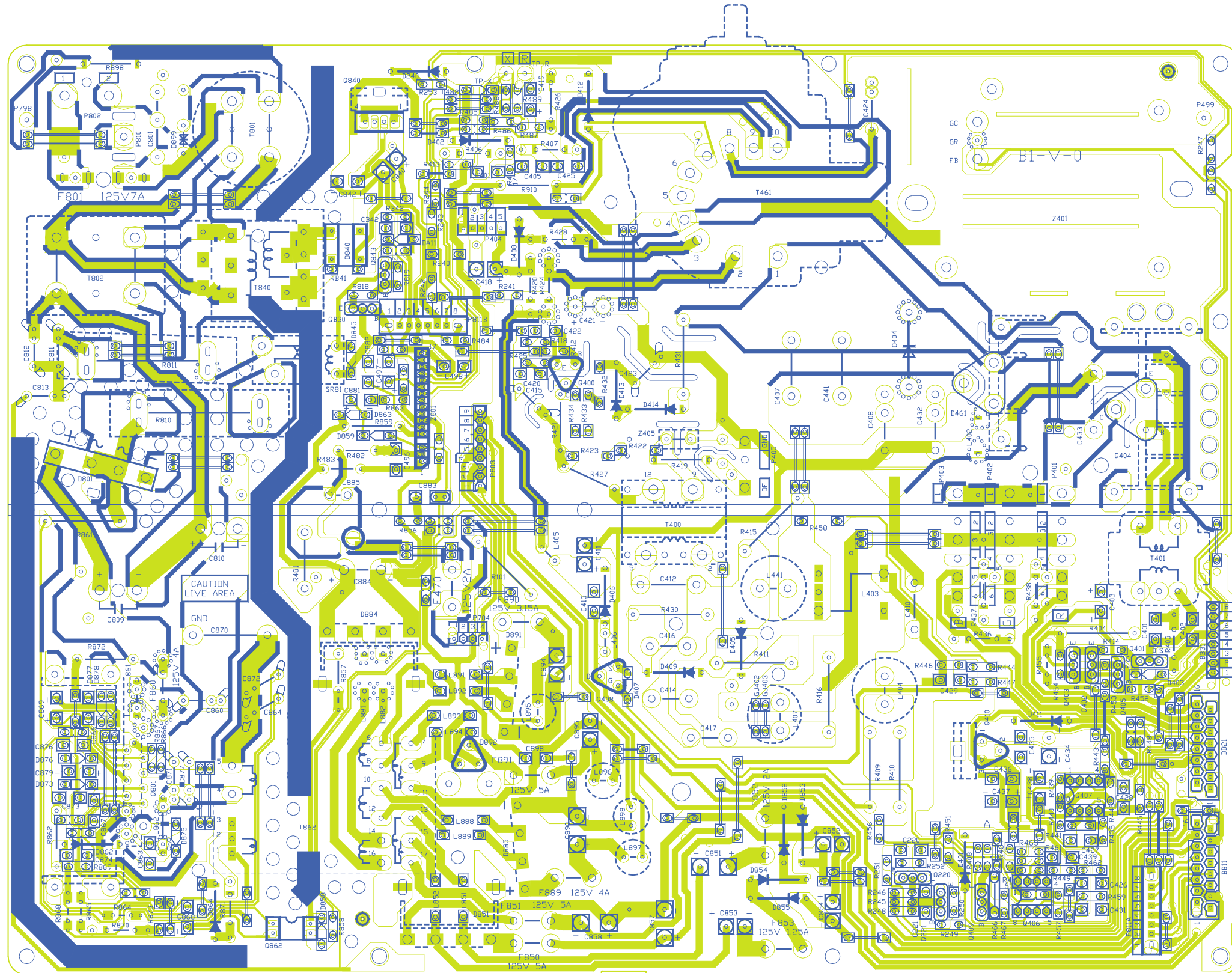
SPECIFIC INFORMATIONS

**THIS PAGE IS  
INTENTIONALLY LEFT  
BLANK.**

**SIGNAL BOARD PD0073Q (43")**  
**SIGNAL BOARD PD0073R (50")**  
BOTTOM (FOIL) SIDE



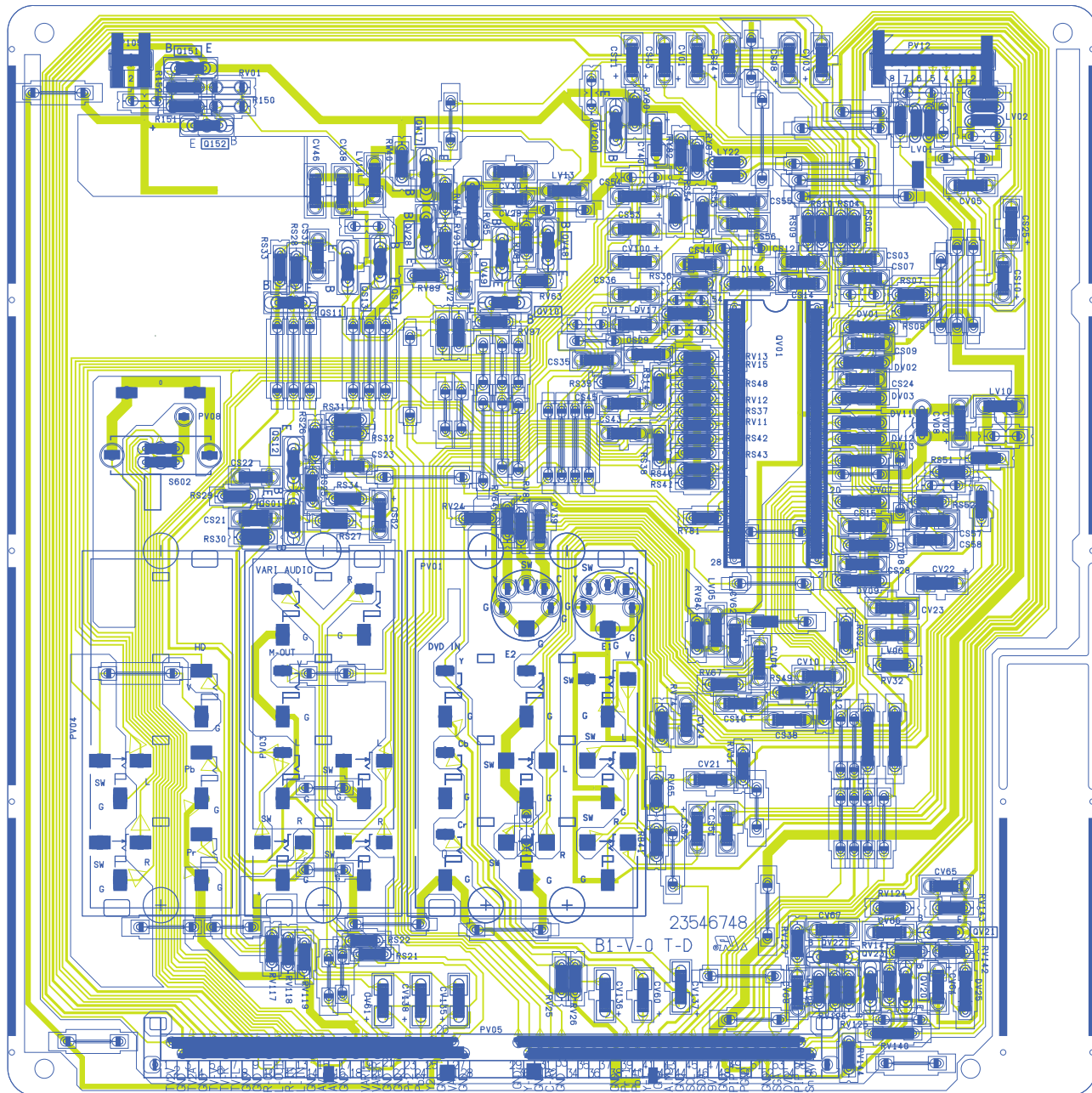
DEF/POWER BOARD PD0074G (43")  
DEF/POWER BOARD PD0074H (50")  
BOTTOM (FOIL) SIDE





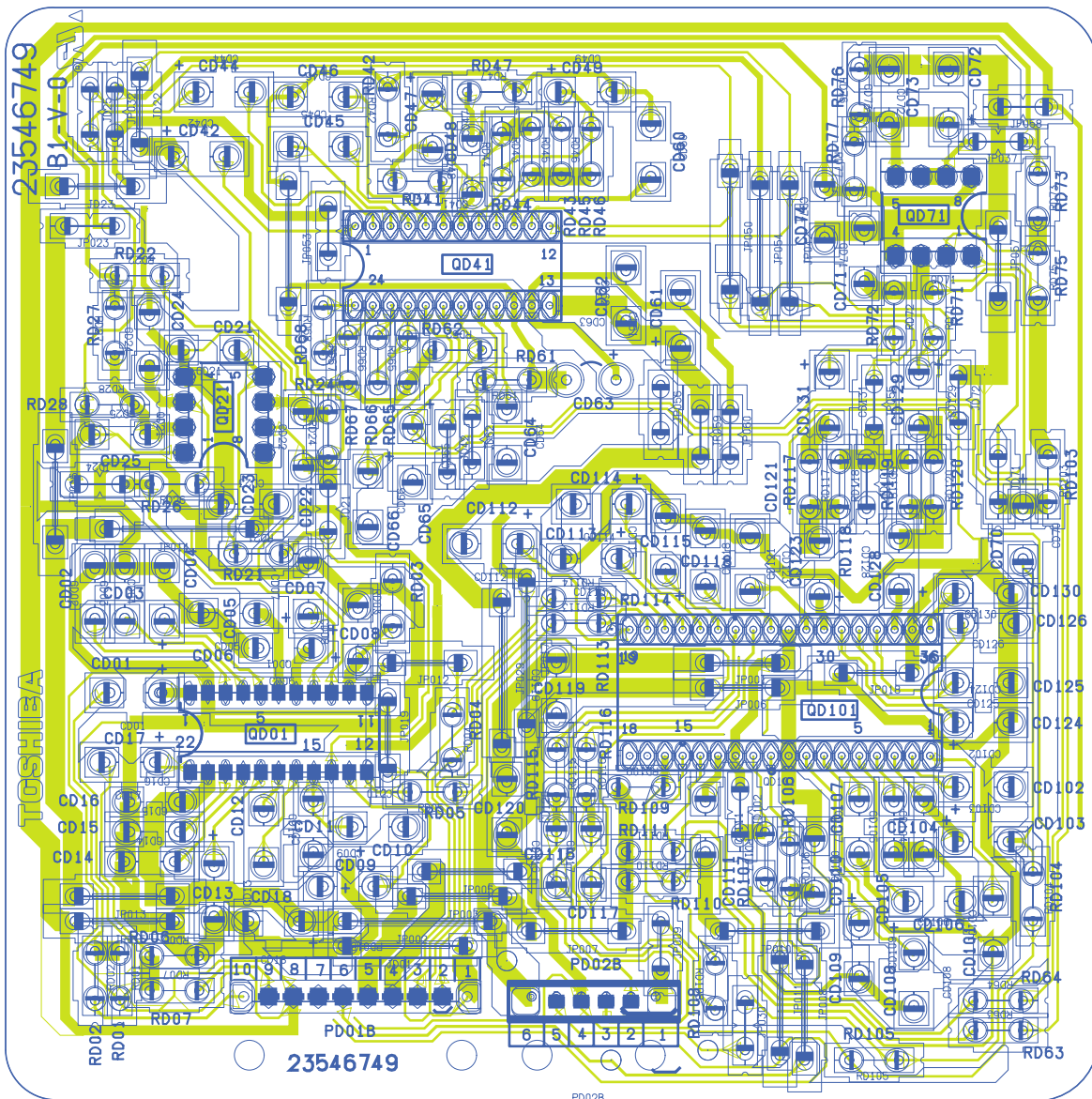
# A/V BOARD PD0075B

## BOTTOM (FOIL) SIDE

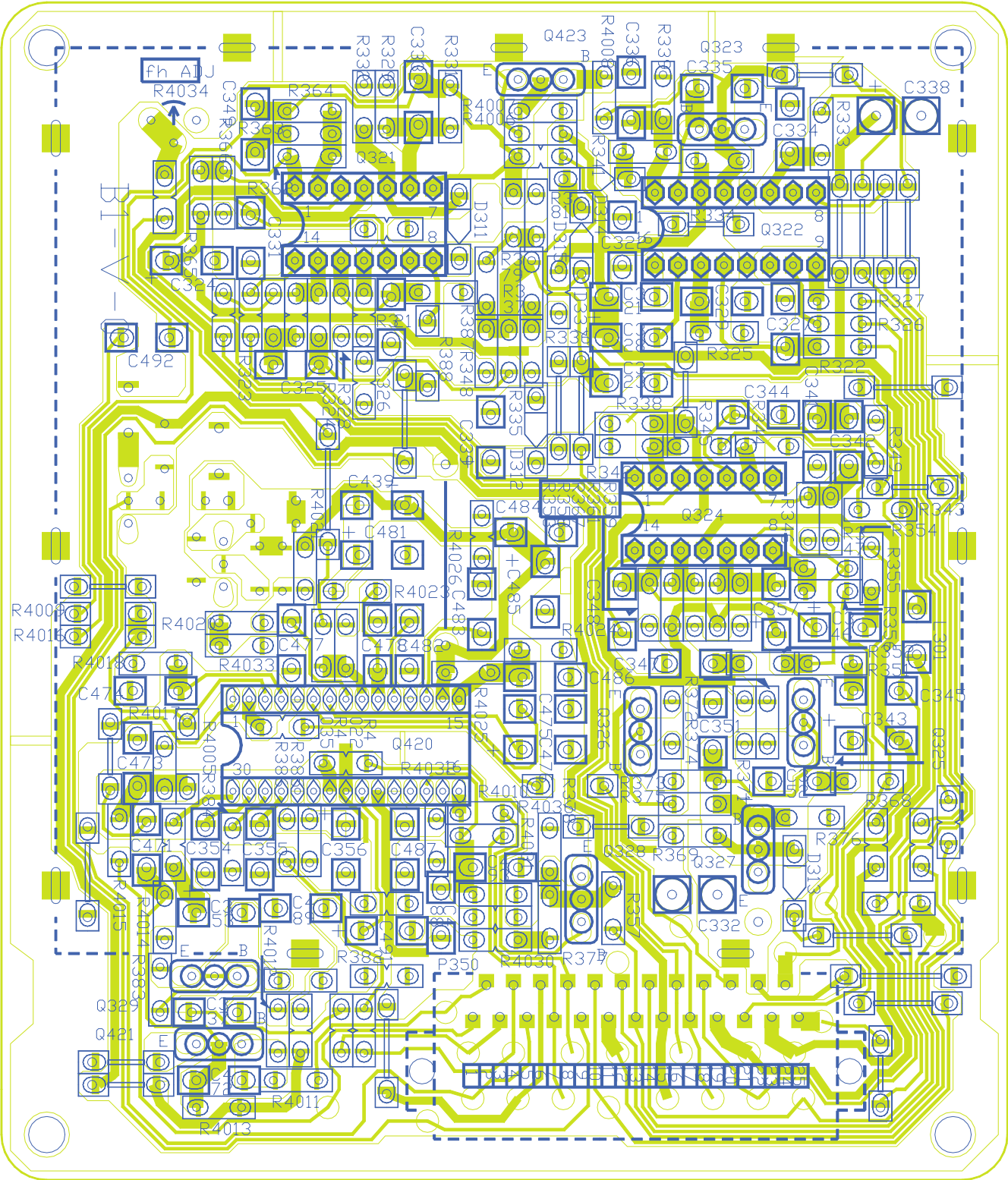


# SRS-3D BOARD PD0076A

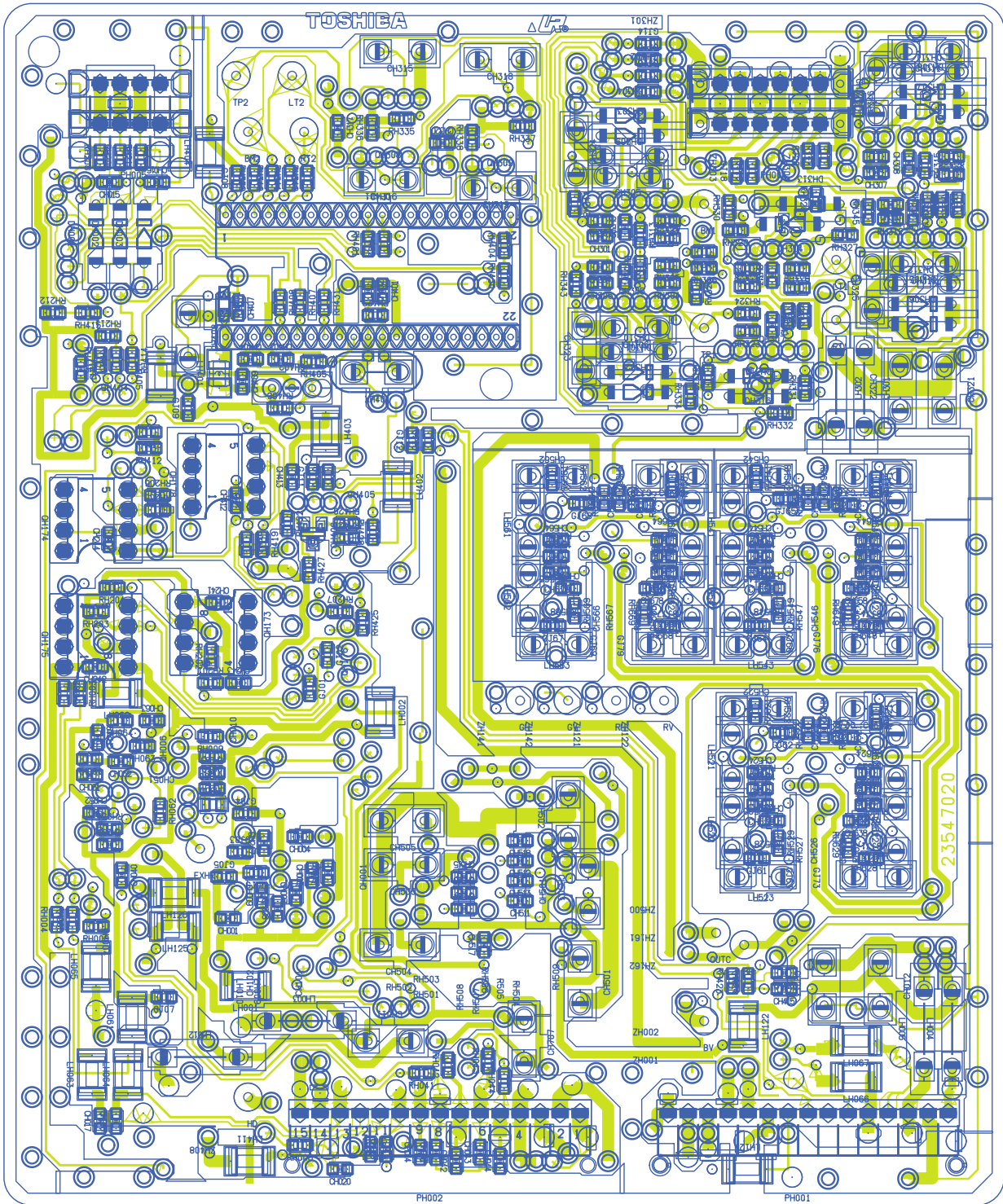
## BOTTOM (FOIL) SIDE



**DPC BOARD PD0077B**  
**BOTTOM (FOIL) SIDE**



**DIGI-CONV BOARD PD0638A(43")**  
**DIGI-CONV BOARD PD0638B(50")**  
BOTTOM (FOIL) SIDE



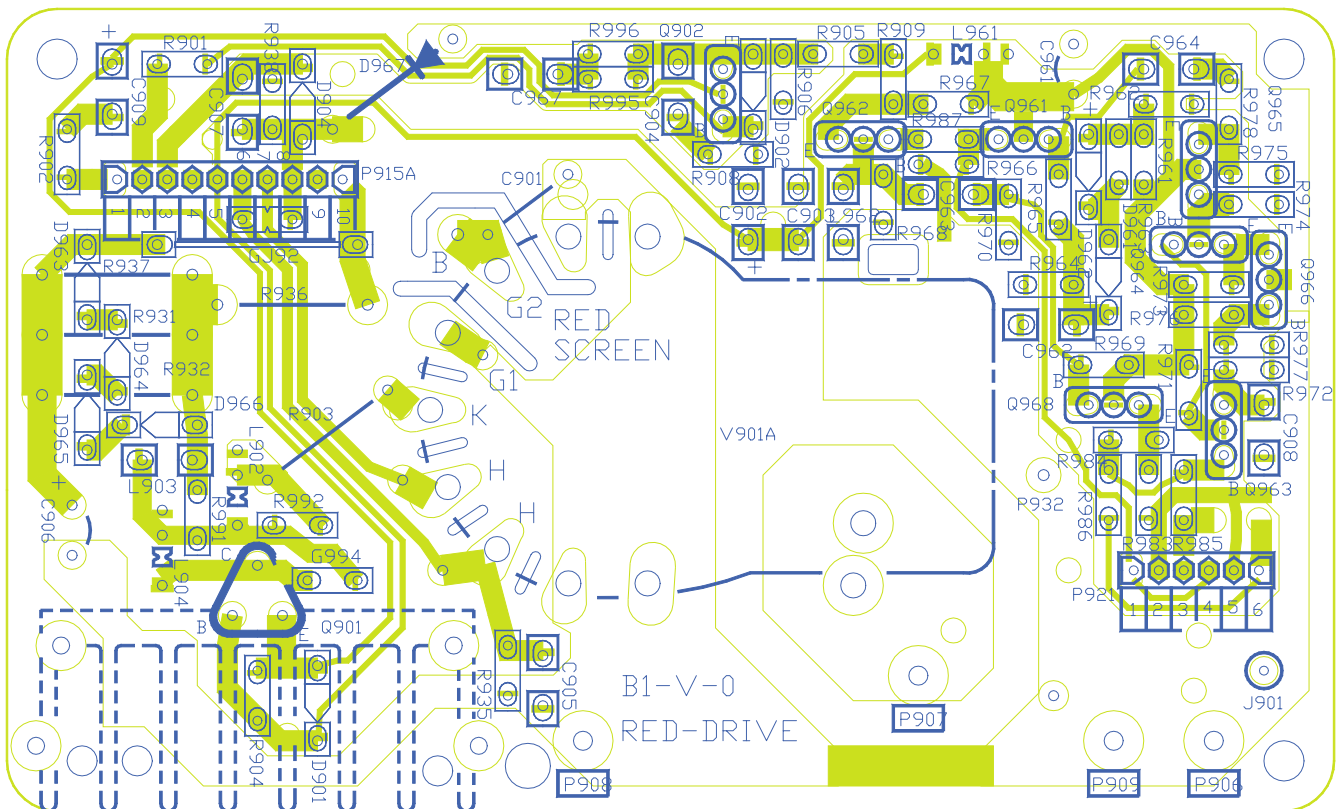
# CONV-SEN BOARD PD0079

## BOTTOM (FOIL) SIDE

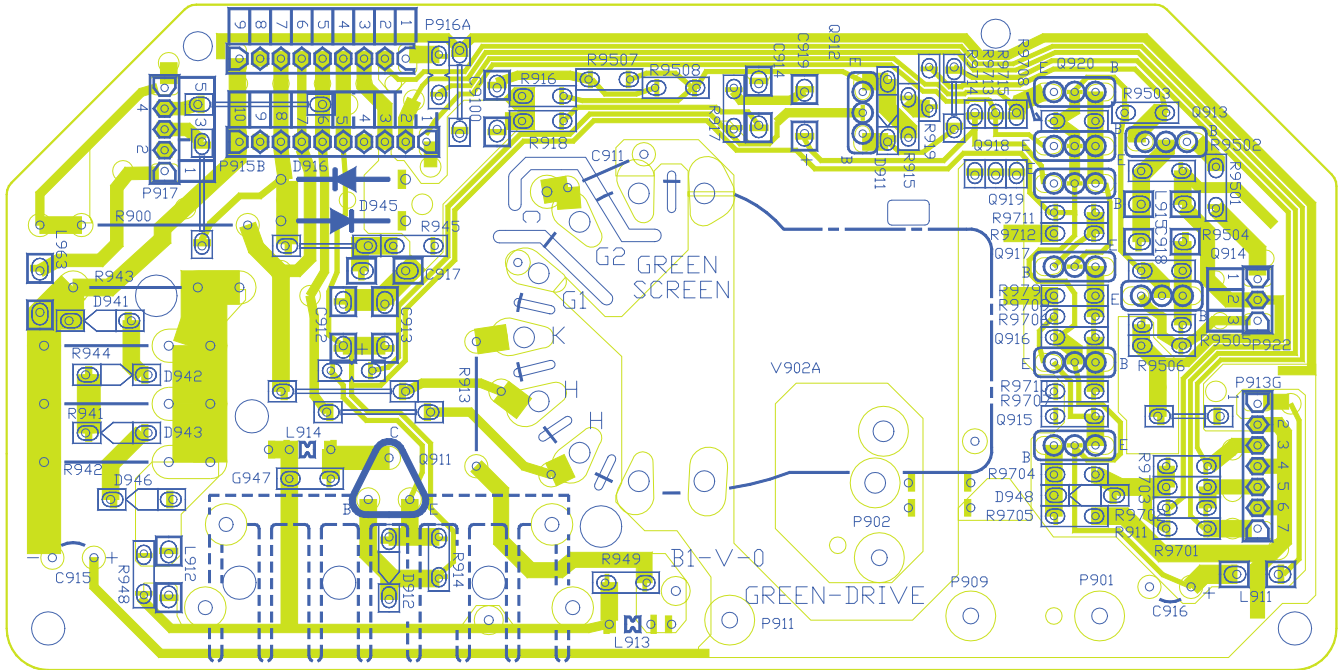


# CRT DRIVE(RED) BOARD PD0080F

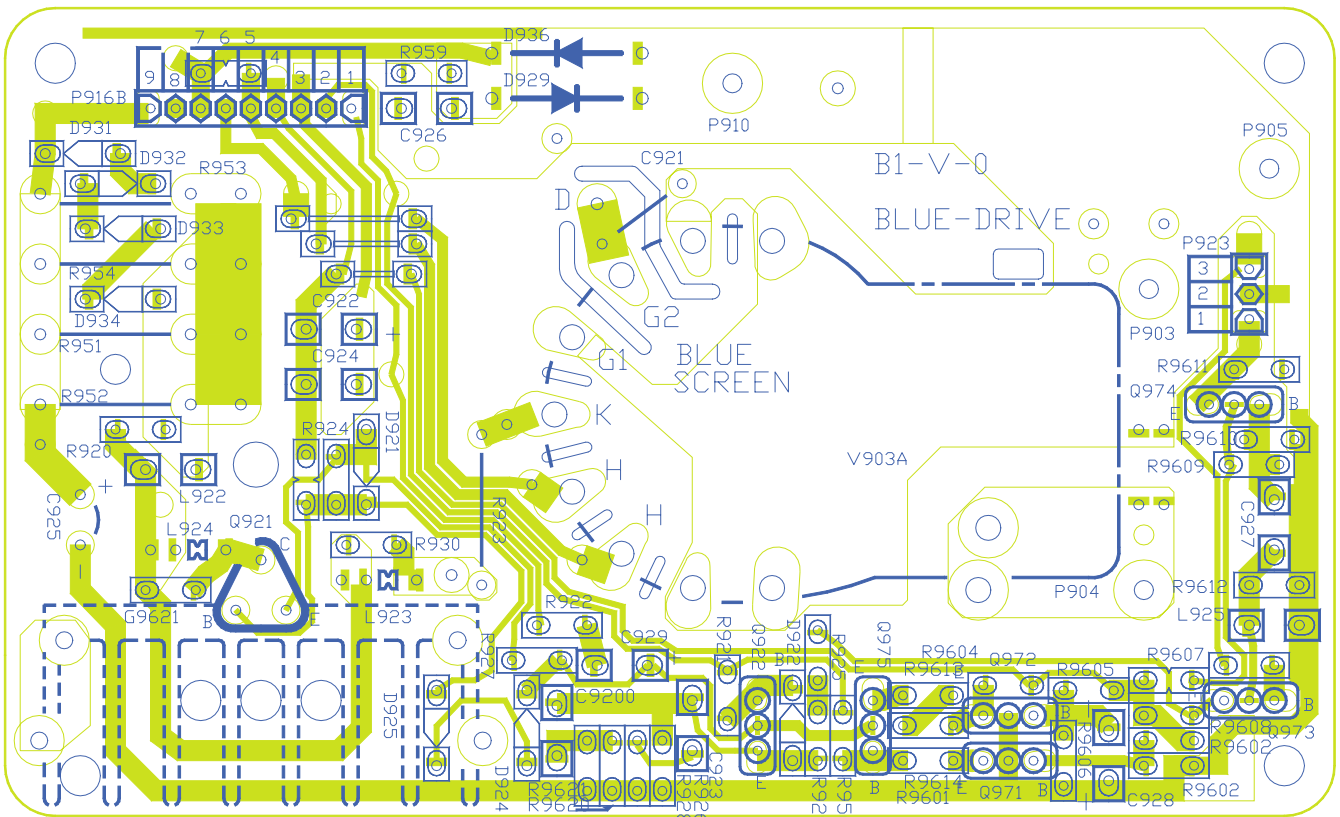
## BOTTOM (FOIL) SIDE



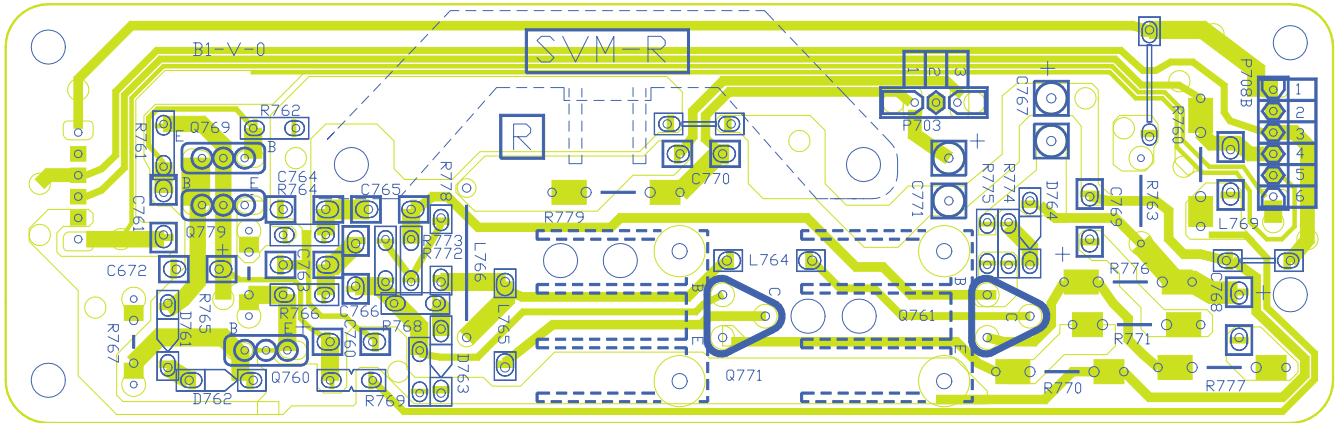
**CRT DRIVE(GRN) BOARD PD0080F**  
**BOTTOM (FOIL) SIDE**



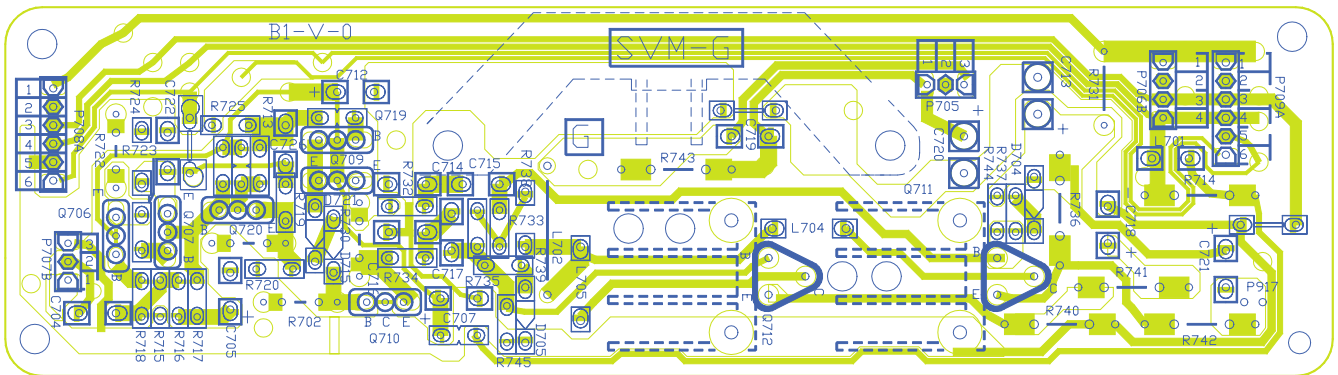
**CRT DRIVE(BLE) BOARD PD0080F**  
**BOTTOM (FOIL) SIDE**



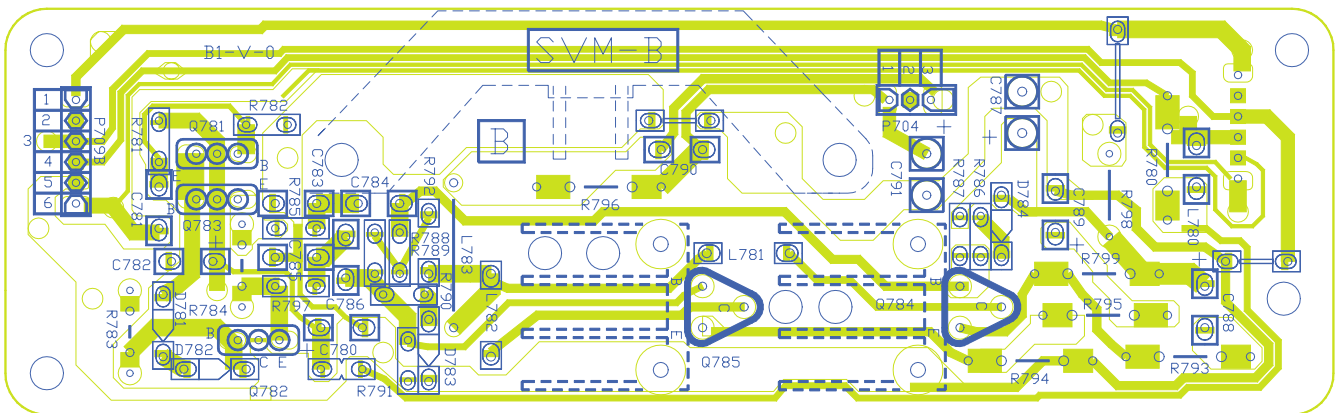
**SVM-R BOARD PD0080F**  
**BOTTOM (FOIL) SIDE**



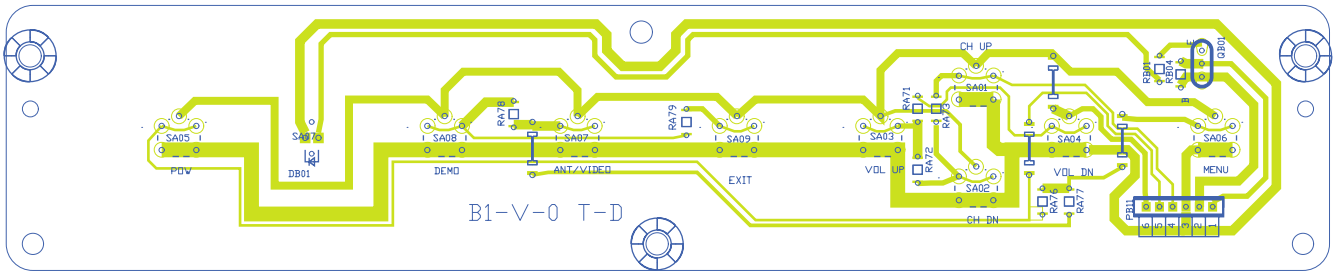
**SVM-G BOARD PD0080F**  
**BOTTOM (FOIL) SIDE**



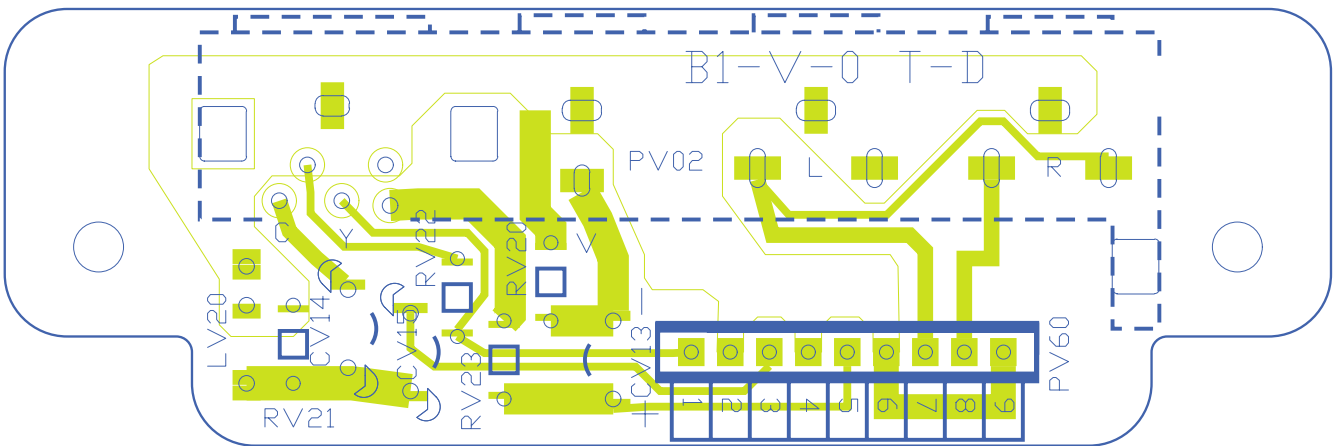
**SVM-B BOARD PD0080F**  
**BOTTOM (FOIL) SIDE**



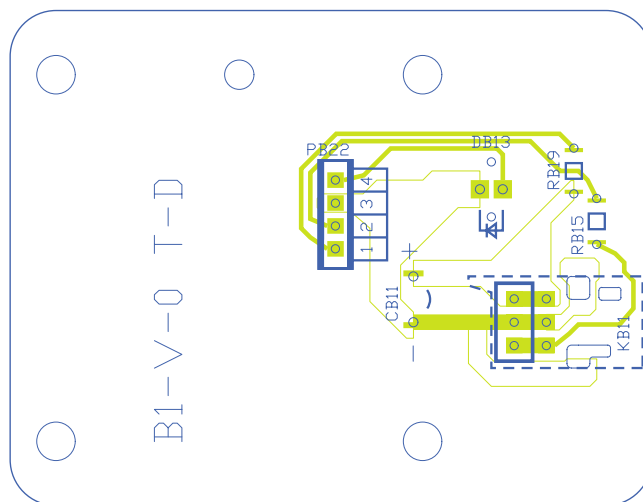
**FRONT BOARD PD0224**  
**BOTTOM (FOIL) SIDE**



**FRONT BOARD PD0224**  
**BOTTOM (FOIL) SIDE**



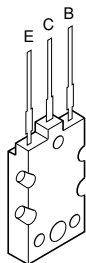
**FRONT BOARD PD0224**  
**BOTTOM (FOIL) SIDE**



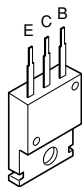


# TERMINAL VIEW OF TRANSISTORS

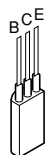
① 2SC5144



② 2SC3852  
2SD1763A  
2SC1569  
2SC4544  
2SA1788  
2SA1306  
2SA1186A



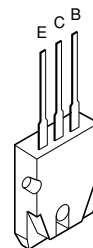
③ 2SC752GTM  
2SC2482  
2SC2655  
2SC4721P



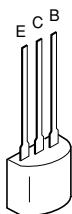
④ 2SC752  
2SA562TM  
2SA1015  
2SC1815  
2SC2878  
2SC1740S  
2SC2120  
2SA9335



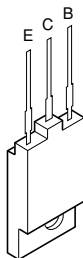
⑤ 2SA1788



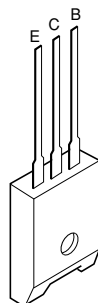
⑥ RN2203  
RN2201  
RN2004  
RN1203  
RN1204  
RN2204  
RN1205  
RN1202  
RN1201



⑦ 2SD1554  
2SD2253  
2SD1556  
2SD2553  
2SC5143



⑧ ON4409



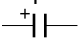

# SCHEMATIC DIAGRAM

## MODEL : 43H72 / 50H72

**WARNING:** BEFORE SERVICING THIS CHASSIS, READ THE "X-RAY RADIATION PRECAUTION", "SAFETY PRECAUTION" AND "PRODUCT SAFETY NOTICE" ON THE MANUAL FOR THIS MODEL.

**CAUTION:** The international hazard symbols " $\triangle$ " in the schematic diagram and the parts list designate components which have special characteristics important for safety and should be replaced only with types identical to those in the original circuit or specified in the parts list. The mounting position of replacements is to be identical with originals. Before replacing any of these components, read carefully the PRODUCT SAFETY NOTICE on the MANUAL for this model. Do not degrade the safety of the receiver through improper servicing.

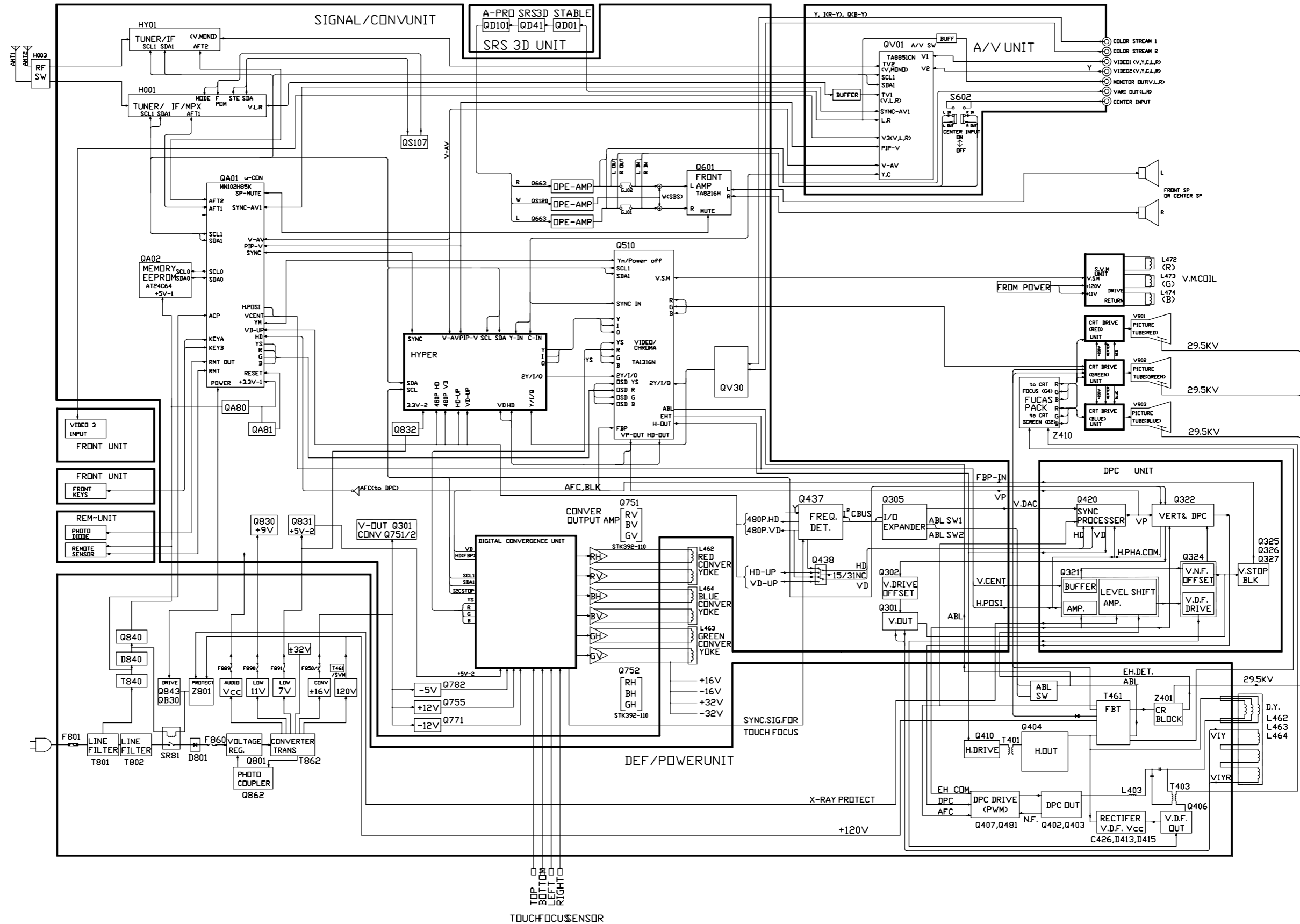
**NOTE:**

1. RESISTOR Resistance is shown in ohm [K = 1.000, M = 1.000.000]. All resistors are 1/6W and 5% tolerance carbon resistor, unless otherwise noted as the following marks.  
 1/2R = Metal or Metal oxide of 1/2 watt                      1/2S = Carbon composition of 1/2 watt  
 1RF = Fuse resistor of 1 watt                                      10W = Cement of 10 watt  
 K = ±10%    G = ±2%    F = ±1%
2. CAPACITOR Unless otherwise noted in schematic, all capacitor values less than 1 are expressed in  $\mu$ F, and the values more than 1 in pF.  
 All capacitors are ceramic 50V, unless otherwise noted as the following marks.  
 Electrolytic capacitor                   Mylar capacitor
3. The parts indicated with " $\triangle$ " have special characteristics, and should be replaced with identical parts only.
4. Voltages read with DIGITAL MULTI-METER from point indicated to chassing ground, using a color bar signal with all controls at normal, line voltage 120 volts.
5. Waveforms are taken receiving color bar signal with enough sensitivity.
6. Voltage reading shown are nominal values and may vary  $\pm$ 20% except H.V.

■ SCHEMATIC DIAGRAM STRUCTURE:

SIGNAL / CONVER Circuit	( Conver )	[ SHEET - 1/7 ] ..... 1/17
	( Vertical )	[ SHEET - 2/7 ] ..... 2/17
	( If )	[ SHEET - 3/7 ] ..... 3/17
	( Maicon )	[ SHEET - 4/7 ] ..... 4/17
	( Power )	[ SHEET - 5/7 ] ..... 5/17
	( Audio )	[ SHEET - 6/7 ] ..... 6/17
	( Video )	[ SHEET - 7/7 ] ..... 7/17
POWER / DEF Circuit	( Power )	[ SHEET - 1/2 ] ..... 8/17
	( Defrection )	[ SHEET - 2/2 ] ..... 9/17
DPC Circuit .....		10/17
DIGITAL CONVER Circuit	( 1/2 )	[ SHEET - 1/2 ] ..... 11/17
	( 2/2 )	[ SHEET - 2/2 ] ..... 12/17
AV Circuit .....		13/17
SRS3D A-Pro Circuit .....		14/17
FRONT Circuit .....		15/17
T. FOCUS-SENSOR Circuit .....		16/17
CRT / SVM Circuit .....		17/17

# CIRCUIT BLOCK DIAGRAM



<b>SPECIFICATIONS (Representative: 50H72)</b>					
TELEVISION SYSTEM	NTSC standard				
CHANNEL COVERAGE	VHF: 2 through 13 UHF: 14 through 69 Cable TV: Mid band (A-8 through A-1, A through I) Super band (J through W) Hyper band (AA through ZZ, AAA, BBB) Ultra band (65 through 94, 100 through 125)				
POWER SOURCE	120 V AC, 60 Hz				
POWER CONSUMPTION	204W (Average)				
AUDIO POWER	15 W + 15 W				
SPEAKER TYPE	Two 6-5/16 inches (16 cm) round				
VIDEO/AUDIO TERMINALS	S-VIDEO INPUT Y-INPUT: 1V (p-p), 75 ohm, negative sync. C-INPUT: 0.286 V(p-p) (burst signal), 75 ohm VIDEO/AUDIO INPUT VIDEO: 1 V(p-p), 75 ohm, negative sync. AUDIO: 150 mV(rms) (30% modulation equivalent, 47 kohm) ColorStream™ (Component video) INPUT Y-INPUT: 1 V(p-p), 75 ohm P <sub>R</sub> -INPUT: 0.7 V(p-p), 75 ohm P <sub>B</sub> -INPUT: 0.7 V(p-p), 75 ohm AUDIO: 150mV(rms). 47 kohm VIDEO/AUDIO OUTPUT VIDEO: 1 V(p-p), 75 ohm, negative sync. AUDIO: 150 mV(rms) (30% modulation equivalent, 4.7 kohm) VARIABLE AUDIO OUTPUT 0-300 mV(rms) (30% modulation equivalent, 4.7 kohm) AUDIO CENTER CHANNEL INPUT 300 mV(rms) (30% modulation equivalent, 10 kohm)				
DIMENSIONS/MASS	<table border="1" style="width: 100%; border-collapse: collapse;"> <thead> <tr> <th style="text-align: center;">Dimension (W/H/D)</th> <th style="text-align: center;">Mass</th> </tr> </thead> <tbody> <tr> <td style="text-align: center;">46-1/8 x 50-3/8 x 21-7/8 inches (1,172 x 1,280 x 555 mm)</td> <td style="text-align: center;">217 lbs (98.6 kg)</td> </tr> </tbody> </table>	Dimension (W/H/D)	Mass	46-1/8 x 50-3/8 x 21-7/8 inches (1,172 x 1,280 x 555 mm)	217 lbs (98.6 kg)
Dimension (W/H/D)	Mass				
46-1/8 x 50-3/8 x 21-7/8 inches (1,172 x 1,280 x 555 mm)	217 lbs (98.6 kg)				
SUPPLIED ACCESSORIES	Remote Control with 2 size "AA" alkaline batteries				

\*Please refer to owner's manual in detail.

**TOSHIBA CORPORATION**  
1-1, SHIBAURA 1-CHOME, MINATO-KU, TOKYO 105-8001, JAPAN